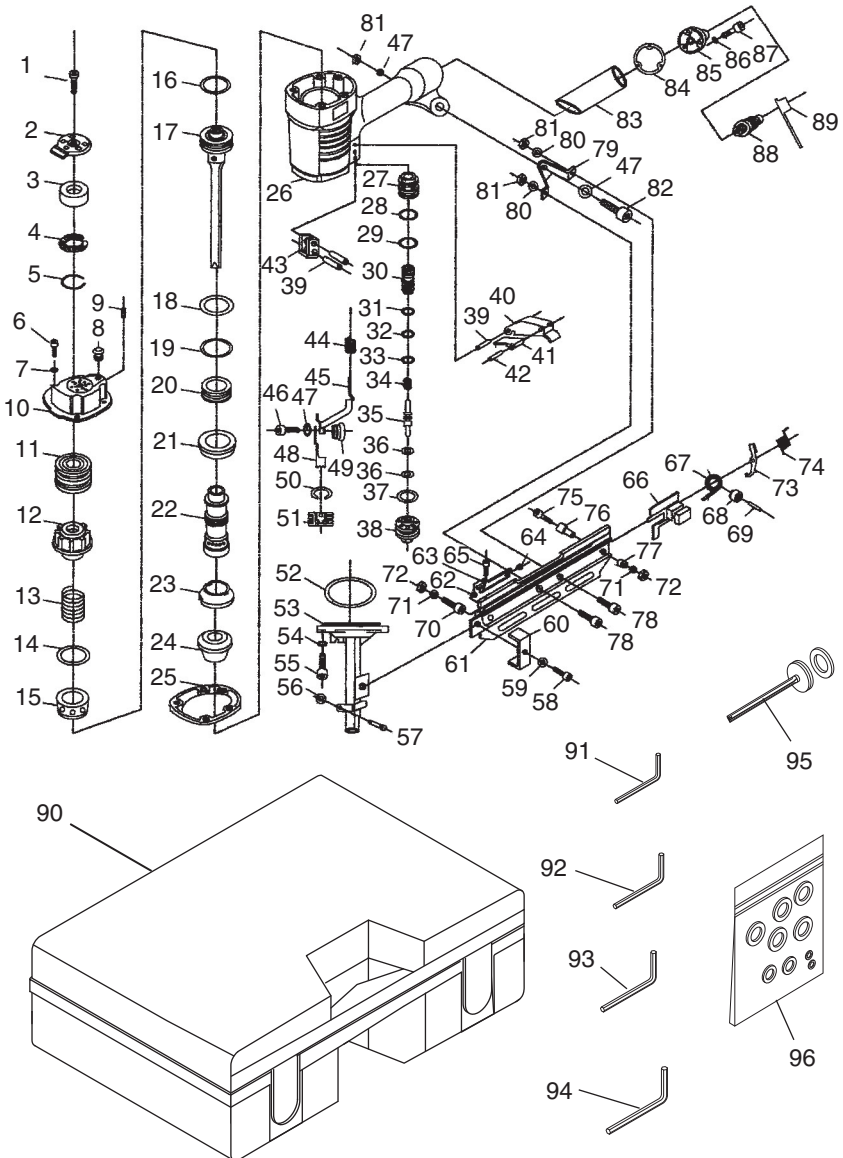


H8235 PARTS

Framing Nailer Parts Breakdown

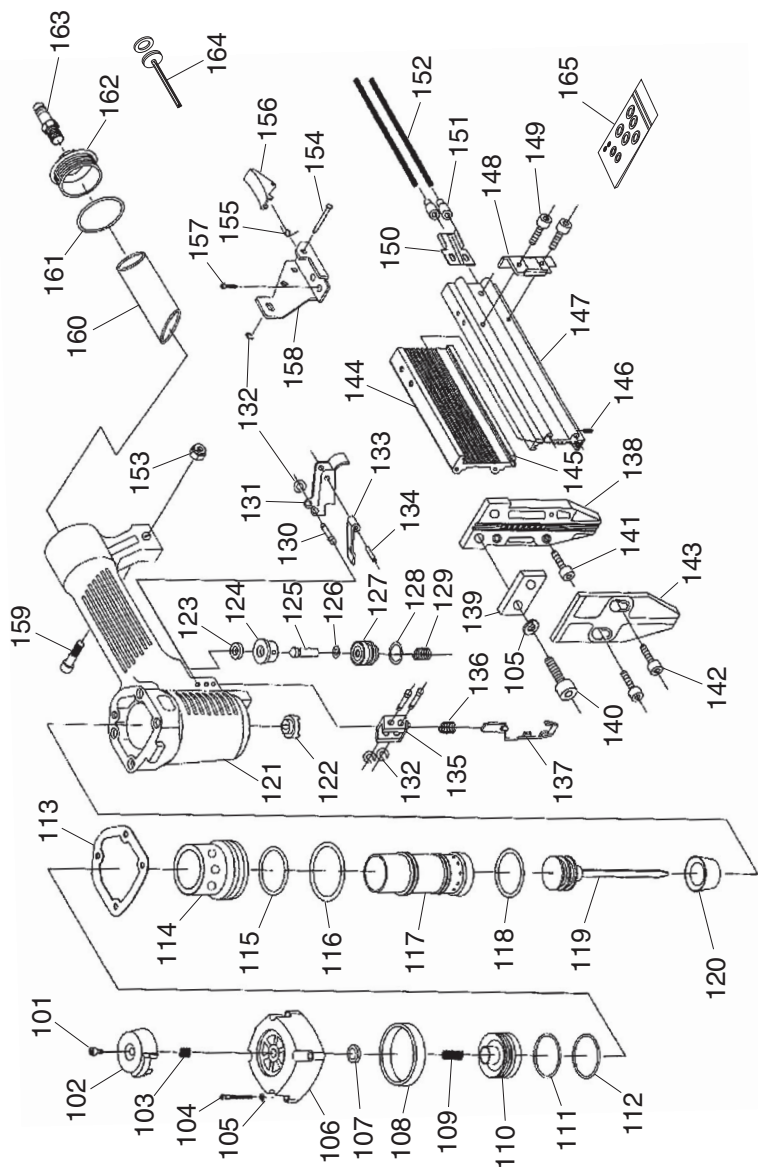


Framing Nailer Parts List

REF	PART #	DESCRIPTION
1	PSB11M	CAP SCREW M8-1.25 X 16
2	PH7665002	EXHAUST PORT
3	PH7665003	RUBBER SPACER
4	PH7665004	COMPRESSION SPRING
5	PH7665005	SPRING WIRE
6	PSB06M	CAP SCREW M6-1 X 25
7	PLW03M	LOCK WASHER 6MM
8	PH7665008	CYLINDER PLUG
9	PSS26M	SET SCREW M5-.8 X 6
10	PH7665010	CYLINDER COVER
11	PH7665011	HEAD VALVE PISTON
12	PH7665012	SPRING SEAT
13	PH7665013	COMPRESSION SPRING
14	PH7665014	SPRING WASHER
15	PH7665015	COLLAR
16	POR0079	O-RING 42.3 X 5
17	PH7665017	MAIN PISTON
18	PORG055	O-RING 54.4 X 3.1 G55
19	POR0080	O-RING 88 X 3
20	PH7665020	FIXED RING
21	PH7665021	SEALING RING
22	PH7665022	CYLINDER
23	PH7665023	OUTER BUMPER
24	PH7665024	BUMPER
25	PH7665025	CYLINDER GASKET
26	PH7665026	NAILER BODY
27	PH7665027	TRIGGER VALVE SEAT
28	PORP015	O-RING 14.8 X 2.4 P15
29	PORS018	O-RING 17.5 X 1.5 S18
30	PH7665030	TRIGGER VALVE GUIDE
31	PORP006	O-RING 5.8 X 1.9 P6
32	PORP006	O-RING 5.8 X 1.9 P6
33	PORP009	O-RING 8.8 X 1.9 P9
34	PH7665034	SWITCH SPRING
35	PH7665035	SWITCH SHAFT
36	PORS003	O-RING 2.5 X 1.5 S3
37	PORP020	O-RING 19.8 X 2.4 P20
38	PH7665038	SWITCH SEAT
39	PRP16M	ROLL PIN 3 X 25
40	PH7665040	TRIGGER
41	PH7665041	SAFETY SPACER
42	PRP02M	ROLL PIN 3 X 16
43	PH7665043	SAFETY GUIDE
44	PH7665044	COMPRESSION SPRING
45	PH7665045	SAFETY YOKE
46	PSB03M	CAP SCREW M5-.8 X 8
47	PW02M	FLAT WASHER 5MM
48	PH7665048	SAFETY NOSE

REF	PART #	DESCRIPTION
49	PH7665049	DEPTH ADJUSTMENT NUT
50	PH7665050	COPPER COLLAR
51	PH7665051	SAFETY NOSE CASE
52	PORS060	O-RING 59.5 X 2.0 S60
53	PH7665053	DRIVE GUIDE
54	PLW04M	LOCK WASHER 8MM
55	PSB13M	CAP SCREW M8-1.25 X 30
56	PEC16M	E-CLIP 2.5MM
57	PH7665057	PIN
58	PSB26M	CAP SCREW M6-1 X 12
59	PW03M	FLAT WASHER 6MM
60	PH7665060	PLATE
61	PH7665061	MAGAZINE
62	PH7665062	WASHER CASE
63	PH7665063	DRIVE BAR
64	PH7665064	SPACER
65	PSB57M	CAP SCREW M3-.5 X 6
66	PH7665066	PUSHER
67	PH7665067	TORSION SPRING
68	PH7665068	SPRING CORE
69	PH7665069	PIN B4 X 25
70	PSB17M	CAP SCREW M4-.7 X 10
71	PW05M	FLAT WASHER 4MM
72	PN04M	HEX NUT M4-.7
73	PH7665073	RELEASE LATCH
74	PH7665074	LATCH SPRING
75	PH7665075	CAP SCREW M4-.7 X 45
76	PH7665076	SAFETY SHAFT
77	PH7665077	SAFETY SHAFT BUSHING
78	PSB20M	CAP SCREW M5-.8 X 14
79	PH7665079	BRACKET
80	PW02M	FLAT WASHER 5MM
81	PN06M	HEX NUT M5-.8
82	PSB38M	CAP SCREW M5-.8 X 25
83	PH7665083	RUBBER HANDLE GRIP
84	PH7665084	END CAP GASKET
85	PH7665085	END CAP
86	PW02M	FLAT WASHER 5MM
87	PSB15M	CAP SCREW M5-.8 X 20
88	PH7665088	AIR VALVE 1/4" NPT MALE
89	PH7665089	AIR VALVE DUST CAP
90	PH7665090	CARRYING CASE
91	PAW03M	HEX WRENCH 3MM
92	PAW04M	HEX WRENCH 4MM
93	PAW05M	HEX WRENCH 5MM
94	PAW06M	HEX WRENCH 6MM
95	PH7665095	PISTON REPAIR KIT
96	PH7665096	O-RING REPAIR KIT

Brad Nailer Parts Breakdown

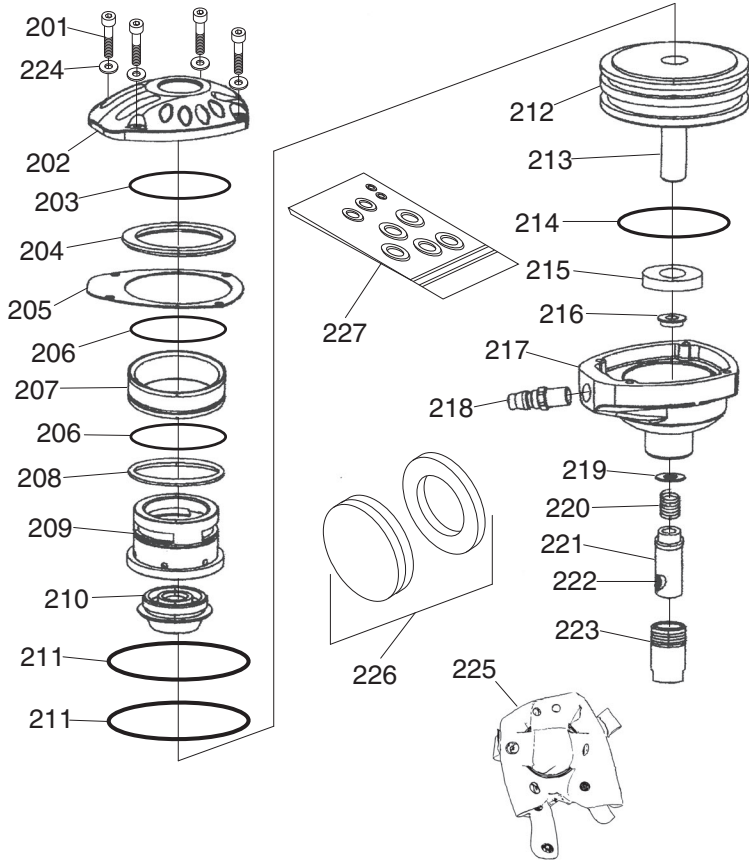


Brad Nailer Parts List

REF	PART #	DESCRIPTION
101	PH8235101	SPECIAL BOLT
102	PH8235102	EXHAUST PORT
103	PH8235103	COMPRESSION SPRING
104	PB42M	HEX BOLT M5-.8 X 20
105	PLW01M	LOCK WASHER 5MM
106	PH8235106	CYLINDER CAP
107	PORP014	O-RING 13.8 X 2.4 P14
108	PH8235108	SEALING RING
109	PH8235109	COMPRESSION SPRING
110	PH8235110	PLUNGER
111	PORS031-5	O-RING 31.0 X 2.0 S31.5
112	PORP025	O-RING 24.7 X 3.5 P25
113	PH8235113	CYLINDER CAP GASKET
114	PH8235114	CYINDER SLEEVE
115	PORP029-5	O-RING 29.2 X 3.5 P29.5
116	PORS042	O-RING 2.0 X 41.5 S42
117	PH8235117	CYLINDER
118	PORP022	O-RING 21.8 X 2.4 P22
119	PH8235119	PISTON W/DRIVER
120	PH8235120	BUMPER
121	PH8235121	NAILER BODY
122	PH8235122	RUBBER WASHER
123	PH8235123	SEAL
124	PH8235124	INNER VALVE SEAT
125	PH8235125	TRIGGER VALVE
126	PORP011-2	O-RING 11 X 2.4 P11.2
127	PH8235127	TRIGGER VALVE GUIDE
128	PORP011-2	O-RING 11 X 2.4 P11.2
129	PH8235129	COMPRESSION SPRING
130	PH8235130	STEP PIN
131	PH8235131	TRIGGER
132	PEC01M	E-CLIP 3MM
133	PH8235133	SAFETY PLATE

REF	PART #	DESCRIPTION
134	PH8235134	PIN
135	PH8235135	BRACKET
136	PH8235136	COMPRESSION SPRING
137	PH8235137	SAFETY NOSE
138	PH8235138	DRIVER GUIDE
139	PH8235139	SPACER
140	PSB15M	CAP SCREW M5-.8 X 20
141	PSB23M	CAP SCREW M4-.7 X 12
142	PSB17M	CAP SCREW M4-.7 X 10
143	PH8235143	DRIVER GUIDE COVER
144	PH8235144	NAIL GUIDE LINER
145	PH8235145	MAGAZINE SEAT
146	PSS35M	SET SCREW M4-.7 X 16
147	PH8235147	MAGAZINE CAP
148	PH8235148	BRACKET
149	PSB41M	CAP SCREW M4-.7 X 14
150	PH8235150	PUSHER
151	PH8235151	PUSHER SHAFT
152	PH8235152	COMPRESSION SPRING
153	PLN01M	LOCK NUT M4-.7
154	PH8235154	PIN
155	PH8235155	LATCH TORSION SPRING
156	PH8235156	LATCH
157	PSB18M	CAP SCREW M4-.7 X 8
158	PH8235158	LATCH BRACKET
159	PSB16M	CAP SCREW M4-.7 X 16
160	PH8235160	RUBBER HAND GRIP
161	PORP036	O-RING 35.7 X 3.5 P36
162	PH8235162	CAP
163	PH8235163	AIR VALVE 1/4 NPT
164	PH8235164	PISTON REPAIR KIT
165	PH8235165	O-RING REPAIR KIT

Palm Nailer Parts Breakdown & List



REF	PART #	DESCRIPTION
201	PSB15M	CAP SCREW M5-.8 X 20
202	PH6141002	CAP
203	PORPG050	O-RING 54.4 X 3.1 G50
204	PH6141004	RUBBER SEAL 54MM
205	PH6141005	GASKET
206	PORPG050	O-RING 54.4 X 3.1 G50
207	PH6141007	CYLINDER COLLAR
208	PH6141008	SEALING RING
209	PH6141009	CYLINDER
210	PH6141010	CYLINDER COVER
211	PORG040	O-RING 39.4 X 3.1 G40
212	PH6141012	PISTON
213	PH6141013	RAM PIN
214	PORG060	O-RING 59.4 X 3.1 G60

REF	PART #	DESCRIPTION
215	PH6141015	BUMPER 16 X 40 X 8
216	PH6141016	AXLE SLEEVE 8MM
217	PH6141017	NAILER BODY
218	PH6141018	AIR INLET VALVE 1/4" NPT
219	PH6141019	SPECIAL WASHER 9 X 20 X 1
220	PH6141020	COMPRESSION SPRING
221	PH6141021	DEPTH GUIDE
222	PH6141022	MAGNET
223	PH6141023	NOSE PIECE M20-1.5 X 37
224	PW02M	FLAT WASHER 5MM
225	PH6141025	LEATHER POUCH
226	PH6141026	PISTON REPAIR KIT
227	PH6141027	O-RING REPAIR KIT