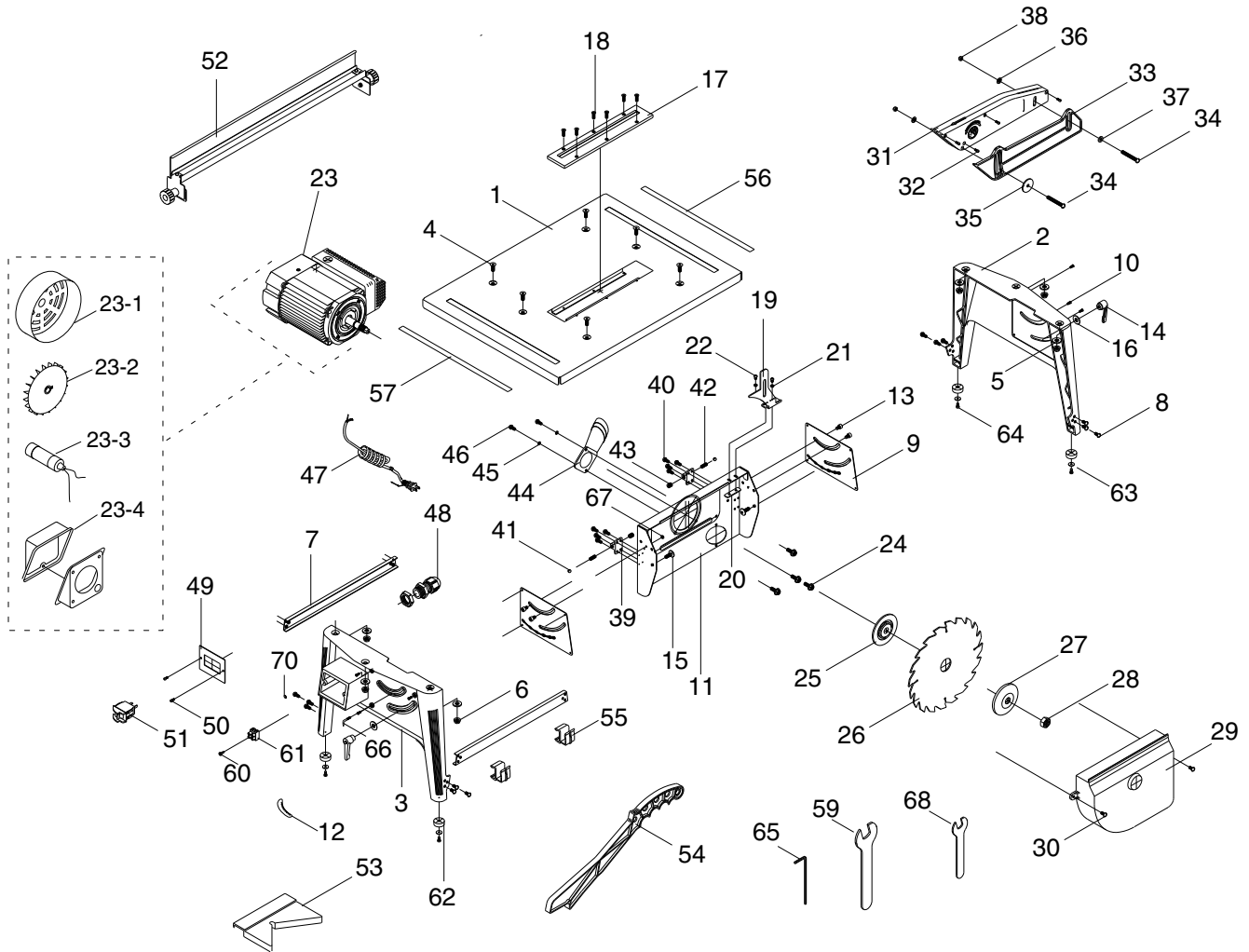


Parts Breakdown



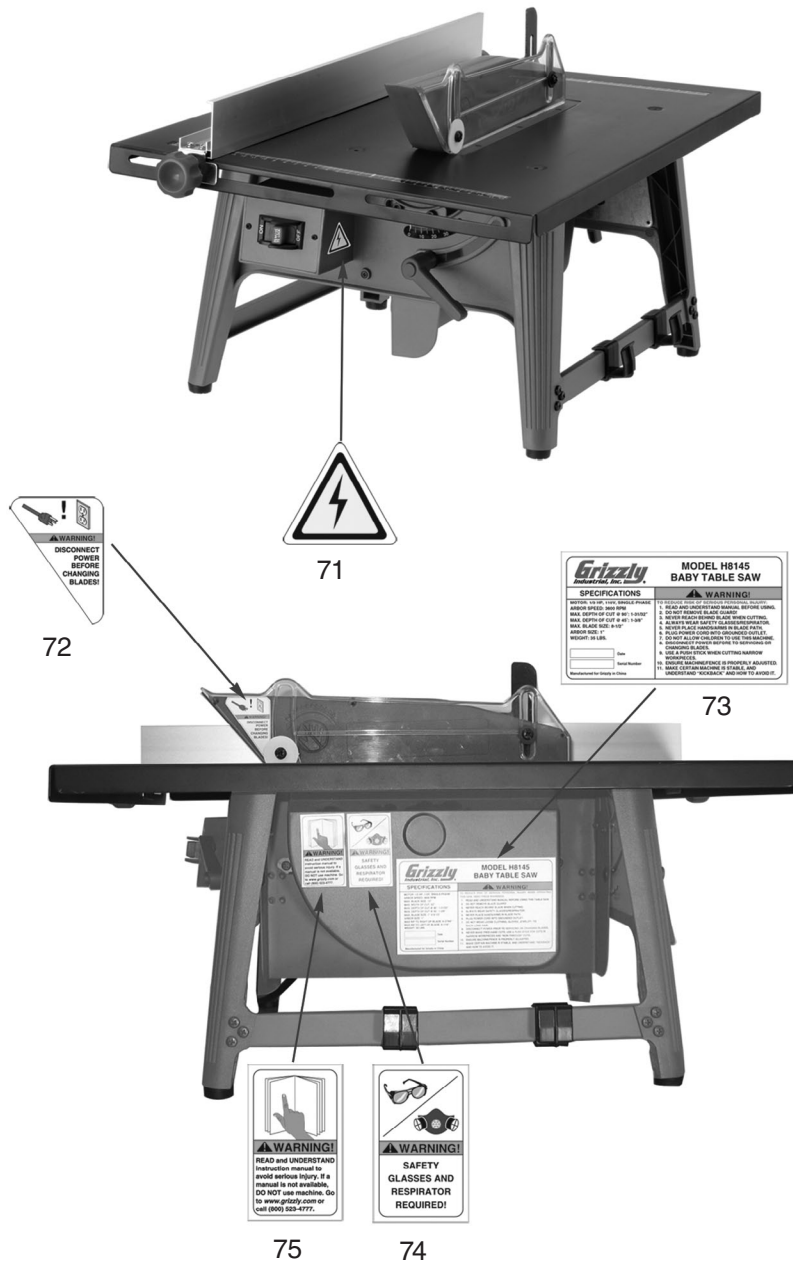
Parts List

REF	PART #	DESCRIPTION
1	PH8145001	TABLE
2	PH8145002	REAR TABLE LEG
3	PH8145003	FRONT TABLE LEG
4	PFH02M	FLAT HD SCR M6-1 X 12
5	PW08M	FLAT WASHER 16MM
6	PFN02M	FLANGE NUT M6-1
7	PH8145007	TABLE SUPPORT
8	PS05M	PHLP HD SCR M5-.8 X 8
9	PH8145009	SUPPORT PLATE
10	PH8145010	FLAT HD SCR M3-.5 X 8
11	PH8145011	CHIP DEFLECTOR
12	PH8145012	BLADE TILT SCALE
13	PSB97M	CAP SCREW M5-.8 X 6
14	PH8145014	BLADE TILT HANDLE
15	PFS14M	FLANGE SCREW M6-1 X 16
16	PW03M	FLAT WASHER 6MM
17	PH8145017	TABLE INSERT
18	PH8145018	FLAT HD SCR M3-.5 X 10
19	PH8145019	RIVING KNIFE
20	PH8145020	RIVING KNIFE BRACKET
21	PLW02M	LOCK WASHER 4MM
22	PSB17M	CAP SCREW M4-.7 X 10
23	PH8145023	MOTOR 1/2 HP, 110V
23-1	PH8145023-1	MOTOR FAN COVER
23-2	PH8145023-2	MOTOR FAN
23-3	PH8145023-3	START CAPACITOR 12MFD 250VAC
23-4	PH8145023-4	JUNCTION BOX
24	PFS11M	FLANGE SCREW M6-1 X 10
25	PH8145025	BLADE FLANGE (INNER)
26	PH8145026	SAW BLADE
27	PH8145027	BLADE FLANGE (OUTER)
28	PN09M	HEX NUT M12-1.75
29	PH8145029	LOWER BLADE GUARD
30	PS05M	PHLP HD SCR M5-.8 X 8
31	PH8145031	UPPER BLADE GUARD
32	PHTEK2M	TAP SCREW M3-.5 X 16

REF	PART #	DESCRIPTION
33	PH8145033	BLADE SIDE COVER
34	PS83M	PHLP HD SCR M6-1 X 45
35	PH8145035	NYLON WASHER 6MM
36	PW03M	FLAT WASHER 6MM
37	PW03M	FLAT WASHER 6MM
38	PLN03M	LOCK NUT M6-1
39	PH8145039	SUPPORT PLATE SEAT
40	PS38M	PHLP HD SCR M4-.7 X 10
41	PH8145041	STEEL BALL
42	PH8145042	SPRING
43	PSS20M	SET SCREW M8-1.25 X 8
44	PH8145044	DUST CHUTE
45	PH8145045	SPECIAL WASHER
46	PS09M	PHLP HD SCR M5-.8 X 10
47	PH8145047	POWER CORD
48	PH8145048	STRAIN RELIEF BUSHING
49	PH8145049	SWITCH PLATE
50	PHTEK18M	TAP SCREW M3-.5 X 10
51	PH8145051	SWITCH ASSY
52	PH8145052	RIP FENCE
53	PH8145053	MITER SLED
54	PH8145054	PUSH STICK
55	PH8145055	PUSH STICK HOLDER CLIP
56	PH8145056	REAR FENCE SCALE
57	PH8145057	FRONT FENCE SCALE
59	PH8145059	WRENCH 19MM
60	PHTEK2M	TAP SCREW M3-.5 X 16
61	PH8145061	WIRE PLATE
62	PH8145062	PAD
63	PW02M	FLAT WASHER 5MM
64	PH8145064	TAP SCREW M5-.8 X 10
65	PAW03M	HEX WRENCH 3MM
66	PH8145066	BLADE TILT POINTER
67	PH8145067	SPECIAL SCREW M4-.7
68	PH8145068	WRENCH 8MM
70	PFS07M	FLANGE SCREW M5-.8 X 10



Safety Label Parts Breakdown



REF	PART #	DESCRIPTION
71	PLABEL-14	ELECTRICITY LABEL
72	PH8145072	DISCONNECT POWER LABEL
73	PH8145073	MACHINE ID LABEL

REF	PART #	DESCRIPTION
74	PH8145074	RESPIRATOR/GLASSES LABEL
75	PH8145075	READ MANUAL LABEL

WARNING

Safety labels warn about machine hazards and ways to prevent injury. The owner of this machine **MUST** maintain the original location and readability of the labels on the machine. If any label is removed or becomes unreadable, **REPLACE** that label before using the machine again. Contact Grizzly at (800) 523-4777 or www.grizzly.com to order new labels.

