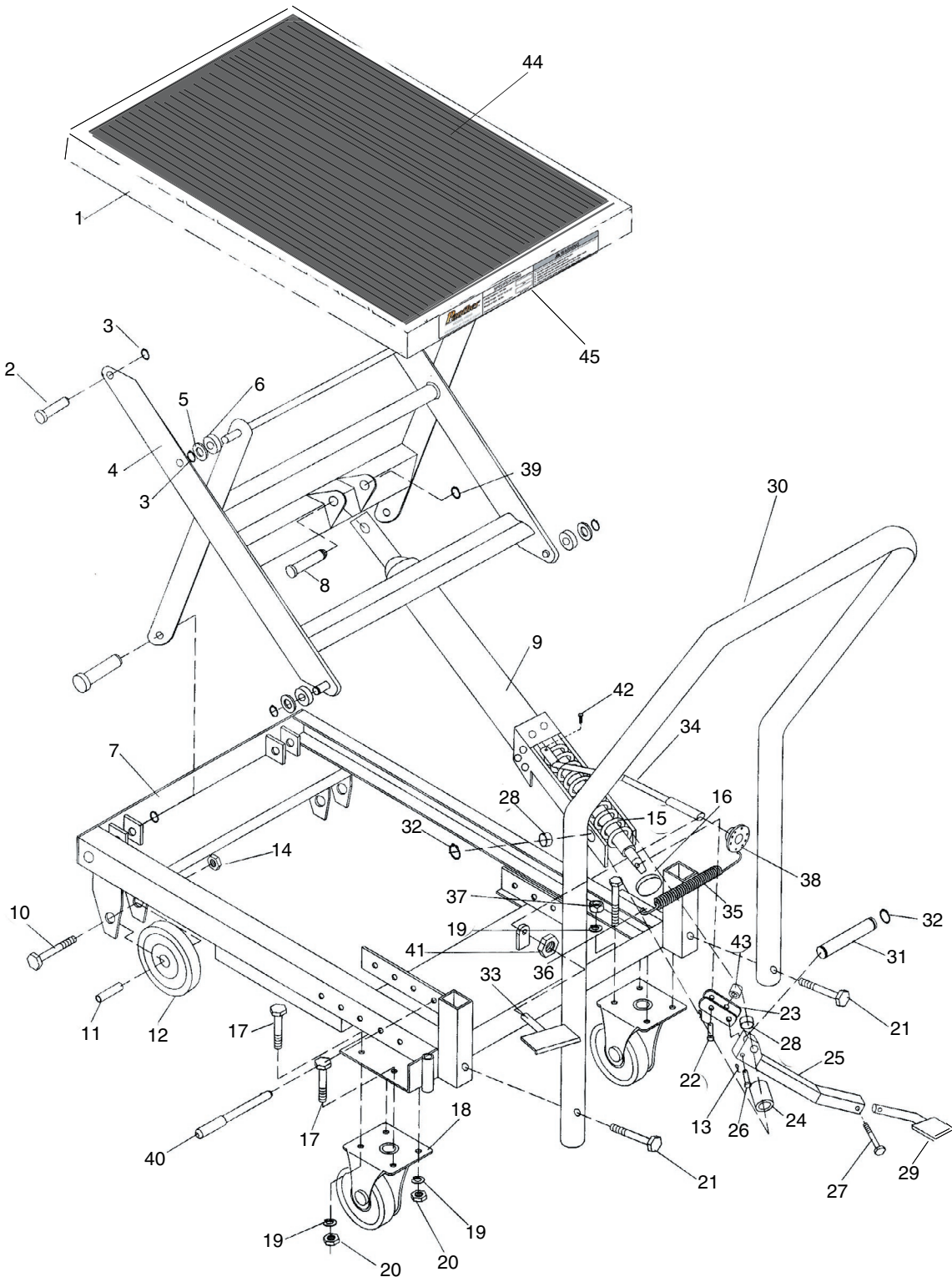


H8099 Parts Breakdown



⚠️ WARNING

The machine label warns about hazards and ways to prevent injury. The owner of the table cart **MUST** maintain the original location and readability of the label. If the label is removed or becomes unreadable, contact Grizzly at (800) 523-4777 or www.grizzly.com to order a new label.

H8099 Parts List

REF PART #	DESCRIPTION	
1	PH8099001	TABLETOP
2	PH8099002	SHAFT
3	PR02M	EXT RETAINING RING 14MM
4	PH8099004	LIFT FRAME
5	PH8099005	SPECIAL WASHER
6	PH8099006	PULLEY
7	PH8099007	BASE ASSEMBLY
8	PH8099008	SHORT AXLE
9	PH8099009	JACK
10	PB160M	HEX BOLT M10-1.5 X 70
11	PH8099011	BUSHING
12	PH8099012	FRONT WHEEL
13	PRP99M	ROLL PIN 2 X12
14	PN02M	HEX NUT M10-1.5
15	PH8099015	SPRING
16	PH8099016	SPRING CAP
17	PB07M	HEX BOLT M8-1.25 X 25
18	PH8099018	SWIVEL CASTER WITH BRAKE
19	PLW04M	LOCK WASHER 8MM
20	PN03M	HEX NUT M8-1.25
21	PB15M	HEX BOLT M8-1.25 X 40
22	PH8099022	SHORT PIN
23	PH8099023	CONNECTING PLATE

REF PART #	DESCRIPTION	
24	PH8099024	LONG SLEEVE
25	PH8099025	PEDAL POLE
26	PH8099026	HITCH PIN
27	PB26M	HEX BOLT M8-1.25 X 30
28	PH8099028	SHORT SLEEVE
29	PH8099029	LIFTING PEDAL
30	PH8099030	HANDLE
31	PH8099031	LONG AXLE
32	PR09M	EXT RETAINING RING 20MM
33	PH8099033	LOWER PEDAL
34	PH8099034	ROTATING POLE
35	PH8099035	SPRING
36	PB20M	HEX BOLT M8-1.25 X 35
37	PLN04M	LOCK NUT M8-1.25
38	PH8099038	ADJUST SLEEVE
39	PR06M	EXT RETAINING RING 16MM
40	PH8099040	LOCK PIN
41	PH8091014	HEX NUT M16-1.75
42	PH8099042	LOCK BOLT
43	PH8099043	SPACER
44	PH8099044	RUBBER PAD
45	PH8099045	MACHINE LABEL