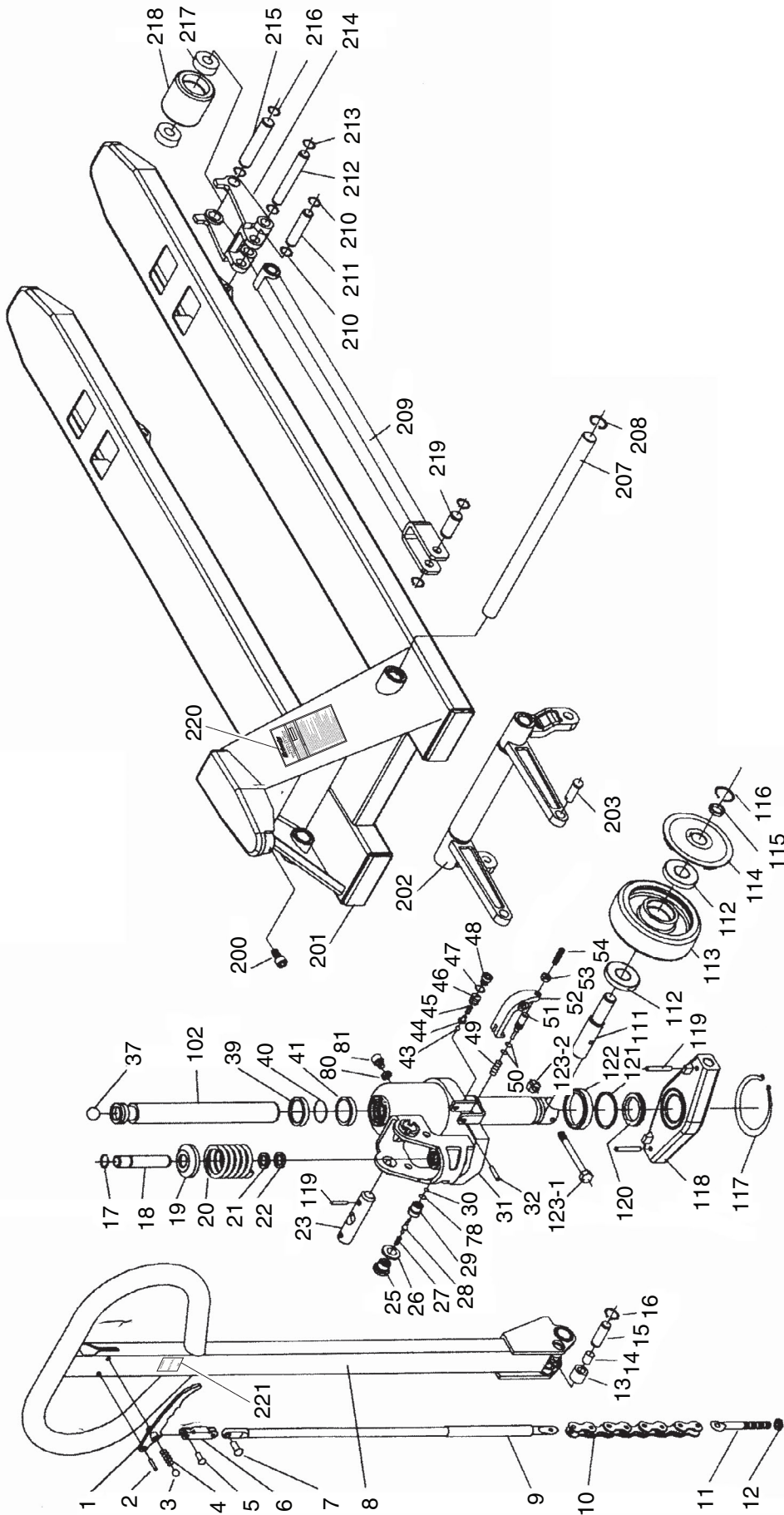


H6287 Parts Breakdown



H6287 Parts List

REF	PART #	DESCRIPTION
1	PH6287001	HANDLE
2	PRP93M	ROLL PIN 6 X 25
3	PH6287003	STEEL BALL
4	PH6287004	COMPRESSION SPRING .7 X 4.5 X 27
5	PH6287005	RIVET
6	PH6287006	JOINT BOARD
7	PH6287007	RIVET
8	PH6287008	HANDLE
9	PH6287009	PULL ROD
10	PH6287010	CHAIN
11	PH6287011	ADJUSTING SCREW M5-.8 X 40
12	PLN02M	LOCK NUT M5-.8
13	PH6287013	PRESSURE ROLLER
14	PH6287014	BUSHING
15	PH6287015	ALIGNMENT PIN
16	PR03M	EXT RETAINING RING 12MM
17	PR06M	EXT RETAINING RING 16MM
18	PH6287018	PUMP PLUNGER
19	PH6287019	COVER
20	PH6287020	COMPRESSION SPRING
21	PH6287021	DUST RING
22	PH6287022	Y-RING
23	PH6287023	SHAFT
25	PH6287025	PLUG
26	PH6289113	COPPER WASHER 16MM
27	PH6287027	COMPRESSION SPRING .5 X 4.8 X 21
28	PH6287028	DAMPENING VALVE SPINDLE
29	PH6287029	DAMPENING VALVE SEAT
30	PH6287030	STEEL BALL
31	PH6287031	BASE
32	PRP07M	ROLL PIN 6 X 20
37	PH6287037	STEEL BALL
39	PH6287039	DUST RING
40	PORP028	O-RING 27.7 X 3.5 P28
41	PH6287041	Y-RING
43	PH6287043	STEEL BALL
44	PH6287044	BALL BASE
45	PH6287045	COMPRESSION SPRING
46	PH6287046	REGULATING SCREW M10-1.5 X 1
47	P0464073	COPPER WASHER 10MM
48	PH6287048	PLUG
49	PH6287049	COMPRESSION SPRING 1.2 X 9.5 X 22

REF	PART #	DESCRIPTION
50	PORP007	O-RING 6.8 X 1.9 P7
51	PH6287051	STRIKE PIN
52	PH6287052	LEVER PLATE
53	PN01M	HEX NUT M6-1
54	PH6287054	REGULATING SCREW M6-1 X 25
78	POR0011	O-RING 10.6 X 1.8
80	PH6287080	O-RING 7.5 X 2.65
81	PH6287081	SPECIAL SCREW M8-1.25 X 1
102	PH6287102	PISTON ROD
111	PH6287111	BIG WHEEL SHAFT
112	P6203ZZ	BALL BEARING 6203ZZ
113	PH6287113	BIG WHEEL
114	PH6287114	DUST COVER
115	PW27MM	FLAT WASHER 17MM
116	PR18M	EXT RETAINING RING 17MM
117	PR12M	EXT RETAINING RING 35MM
118	PH6287118	SUPPORTING PLATE
119	PH6287119	ELASTIC PIN 5 X 28
120	P8107	THRUST BEARING 8107
121	PW20M	FLAT WASHER 35MM
122	PH6287122	DUST COVER
123-1	PB47M	HEX BOLT M6-1 X 40
123-2	PN01M	HEX NUT M6-1
200	PSB03M	CAP SCREW M5-.8 X 8
201	PH6287201	FORK FRAME
202	PH6287202	ROCKER ARM
203	PH6287203	ALIGNMENT PIN 14 X 30
207	PH6287207	LONG SHAFT
208	PR09M	EXT RETAINING RING 20MM
209	PH6287209	STRAIGHT TAPPET
210	PR02M	EXT RETAINING RING 14MM
211	PH6287211	REAR SHAFT
212	PH6287212	CENTER SHAFT
213	PR36M	EXT RETAINING RING 7MM
214	PH6287214	FORK WHEEL FRAME
215	PH6287215	FRONT SHAFT
216	PR36M	EXT RETAINING RING 7MM
217	P6203ZZ	BALL BEARING 6203ZZ
218	PH6287218	WHEEL
219	PH6287219	AXLE
220	PH6287220	MACHINE ID LABEL H6287
221	PH6287221	HANDLE POSITION LABEL

