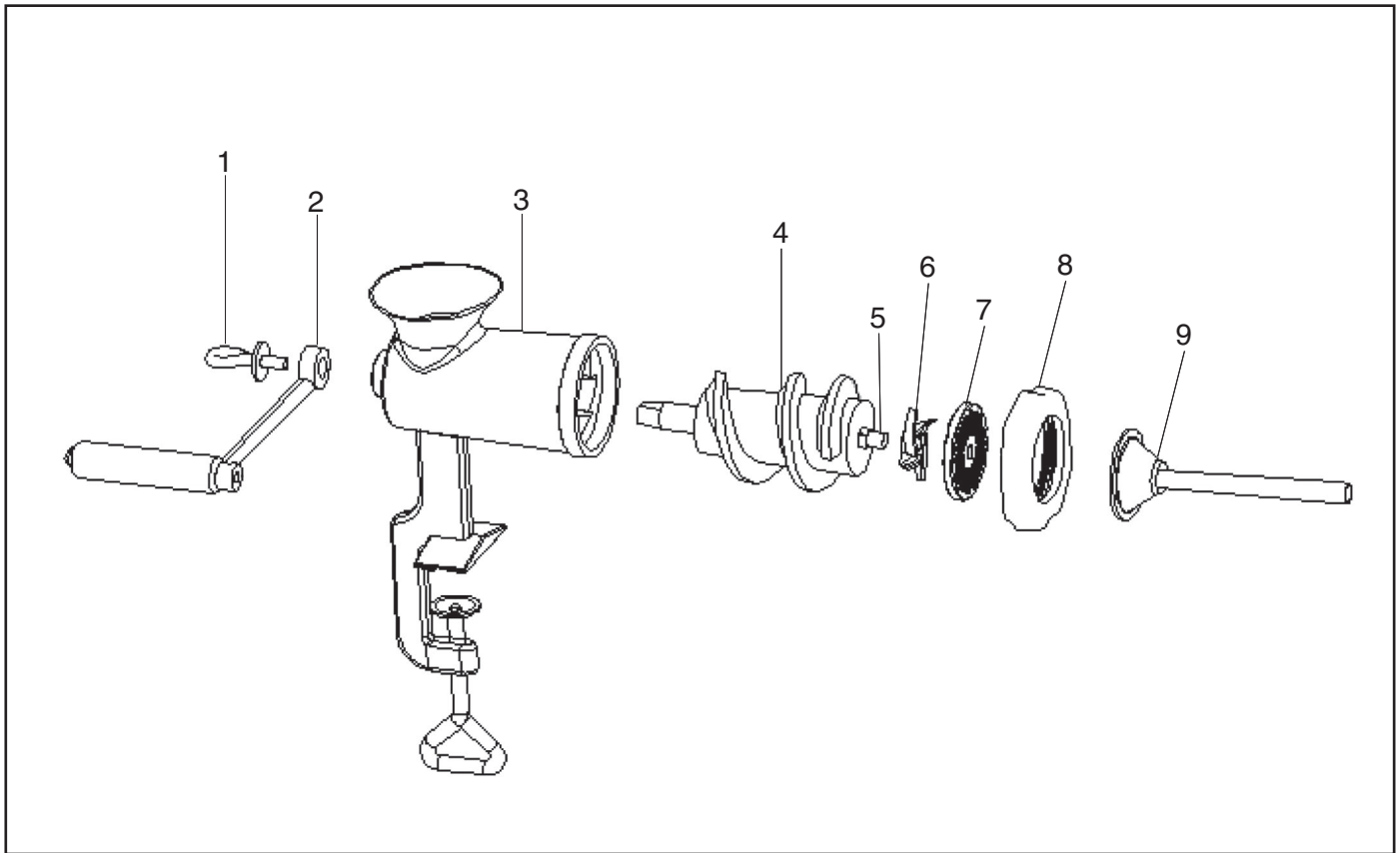


H6249 & H6250 Parts Breakdown



Model H6249 Parts List

| REF | PART # | DESCRIPTION |
|-----|-----------|----------------|
| 1 | PH6249001 | HANDLE SCREW |
| 2 | PH6249002 | HANDLE |
| 3 | PH6249003 | GRINDER BODY |
| 4 | PH6249004 | AUGER |
| 5 | PH6249005 | SQUARE SHAFT |
| 6 | PH6249006 | CUTTING KNIFE |
| 7 | PH6249007 | GRINDING PLATE |
| 8 | PH6249008 | LOCK NUT |
| 9 | PH6249009 | MEAT STUFFER |

Model H6250 Parts List

| REF | PART # | DESCRIPTION |
|-----|-----------|----------------|
| 1 | PH6250001 | HANDLE SCREW |
| 2 | PH6250002 | HANDLE |
| 3 | PH6250003 | GRINDER BODY |
| 4 | PH6250004 | AUGER |
| 5 | PH6250005 | SQUARE SHAFT |
| 6 | PH6250006 | CUTTING KNIFE |
| 7 | PH6250007 | GRINDING PLATE |
| 8 | PH6250008 | LOCK NUT |
| 9 | PH6250009 | MEAT STUFFER |

COPYRIGHT © SEPTEMBER, 2004 BY GRIZZLY INDUSTRIAL, INC.

WARNING: NO PORTION OF THIS MANUAL MAY BE REPRODUCED IN ANY SHAPE OR FORM WITHOUT THE WRITTEN APPROVAL OF GRIZZLY INDUSTRIAL, INC.

#CA6636 PRINTED IN CHINA