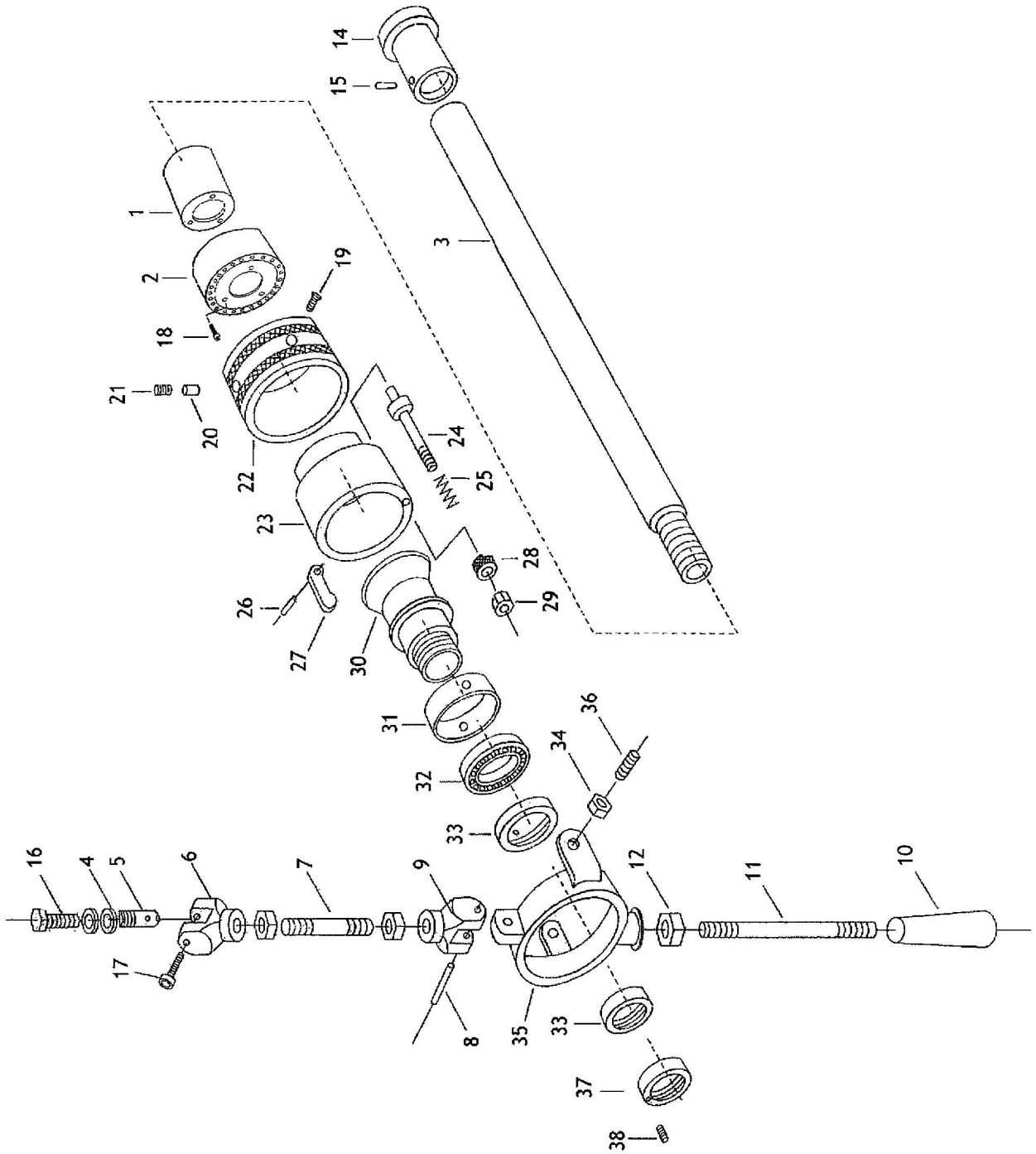


H5948 Parts



REF	PART #	DESCRIPTION
1	H5948001	HUB ADAPTER SLEEVE
2	H5948002	HUB CONNECTOR SLEEVE
3	H5948003	DRAW TUBE
4	PW06M	FLAT WASHER 12MM
5	H5948005	PIVOT STUD
6	H5948006	PIVOT CONNECTOR
7	H5948007	CONNECTING ROD
8	H5948008	PIN
9	H5948009	PIVOT CONNECTOR
10	H5948010	HANDLE
11	H5948011	LEVER
12	PN09M	HEX NUT M12-1.75
14	H5948014	COLLET ADAPTER
15	PRP14M	ROLL PIN 3 X 6
16	PB35M	HEX BOLT M12-1.75 X 40
17	PSB45M	CAP SCREW M8-1.25 X 45
18	PSB33M	CAP SCREW M5-.8 X 12
19	PFH07M	FLAT HEAD SCREW M5-.8 X 10

REF	PART #	DESCRIPTION
20	H5948020	SUPPORT
21	PSS14M	SET SCREW M8-1.25 X 12
22	H5948022	HUB ADJUSTING SLEEVE
23	H5948023	SLIDING SLEEVE
24	H5948024	SPECIAL BOLT
25	H5948025	SPRING
26	H5948026	PIN
27	H5948027	CAM LEVER
28	H5948028	KNURLED NUT
29	PN04M	HEX NUT M4-.7
30	H5948030	SLEEVE
31	H5948031	BEARING RACE
32	H5948032	BALL BEARING 40 X 80 X 18
33	H5948033	COLLAR 38 MM
34	PN03M	HEX NUT M8-1.25
35	H5948035	LOCKING YOKE
36	PSS44M	SET SCREW M8-1.25 x 40
37	H5948037	COLLAR 30 MM
38	PSS01M	SET SCREW M6-1 X 10