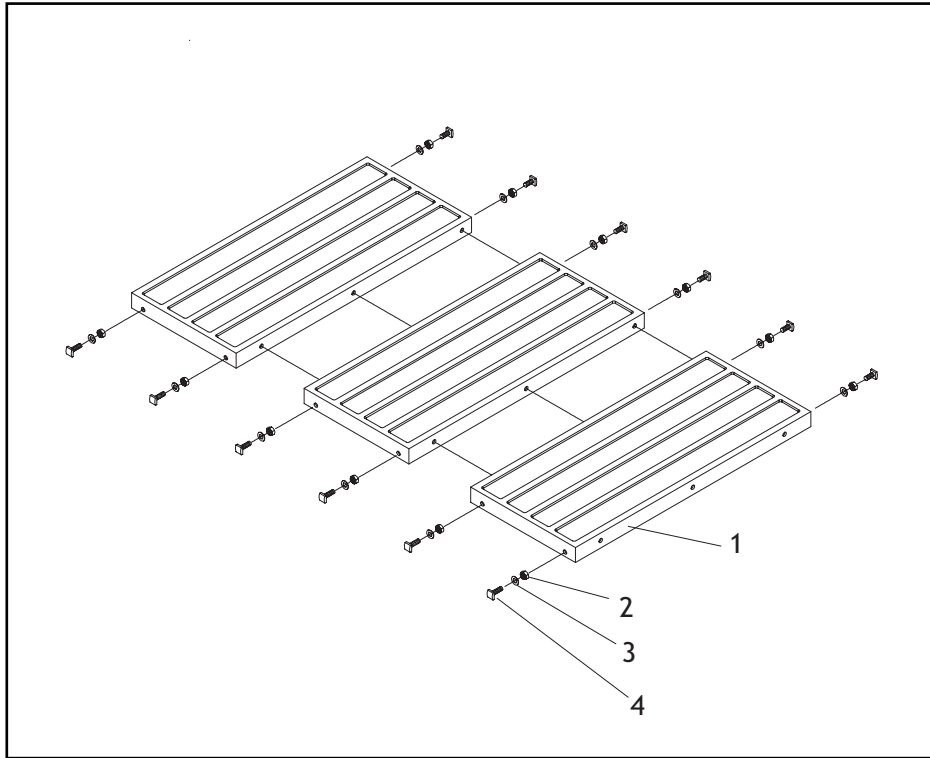


H5664 Parts Diagram



| REF | PART # | DESCRIPTION |
|-----|-----------|---------------------------------------------------|
| 1 | PH5664001 | Metal Wing |
| 2 | PN02 | Hex Nut $\frac{5}{16}$ "-18 |
| 3 | PW07 | Flat Washer $\frac{5}{16}$ " |
| 4 | PH5664004 | Square bolt $\frac{5}{16}$ "-18 X $\frac{3}{4}$ " |