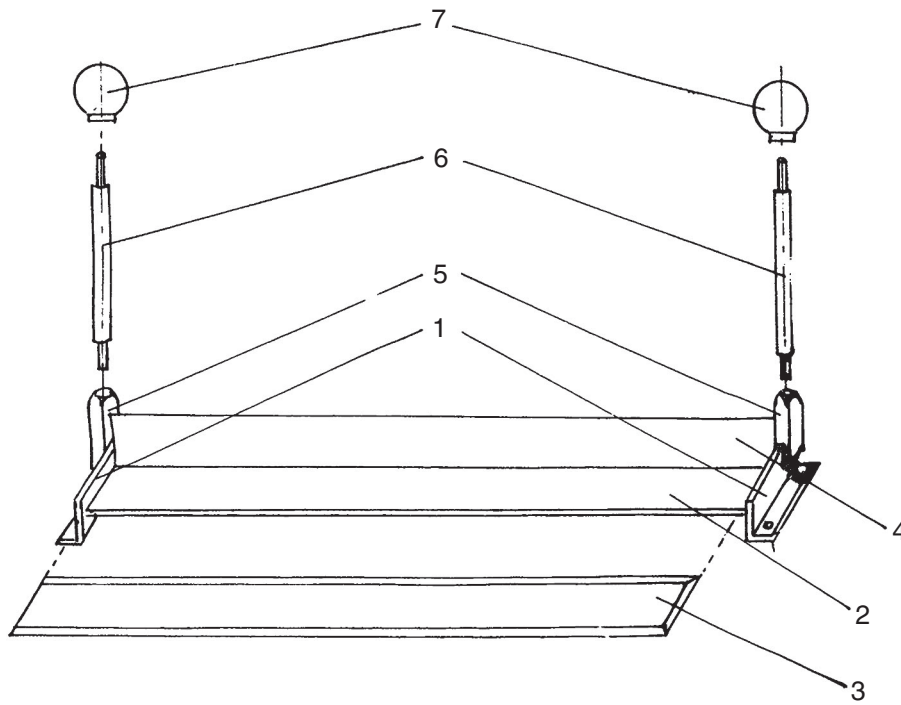


# G9951/G9952 Parts Breakdown and List



REF	PART #	DESCRIPTION
1	P9951001	STAND
2	P9951002	SUPPORTING PLATE
3	P9951003	PRESS PLATE
4	P9951004	MOVING PLATE
5	P9951005	PIN
6	P9951006	HANDLE LEVER
7	P9951007	HANDLE BALL

REF	PART #	DESCRIPTION
1	P9952001	STAND
2	P9952002	SUPPORTING PLATE
3	P9952003	PRESS PLATE
4	P9952004	MOVING PLATE
5	P9952005	PIN
6	P9952006	HANDLE LEVER
7	P9952007	HANDLE BALL