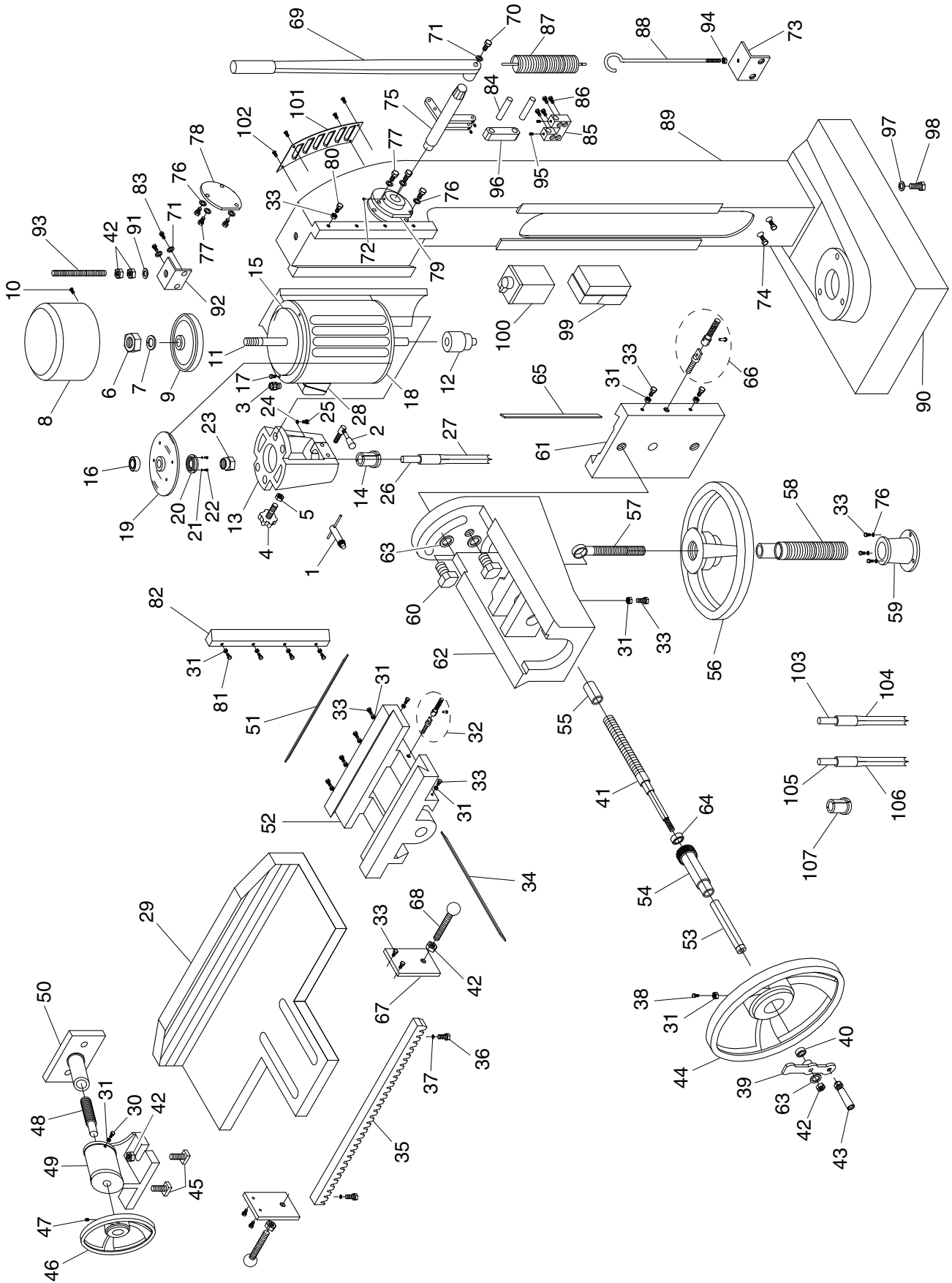


Parts Diagram



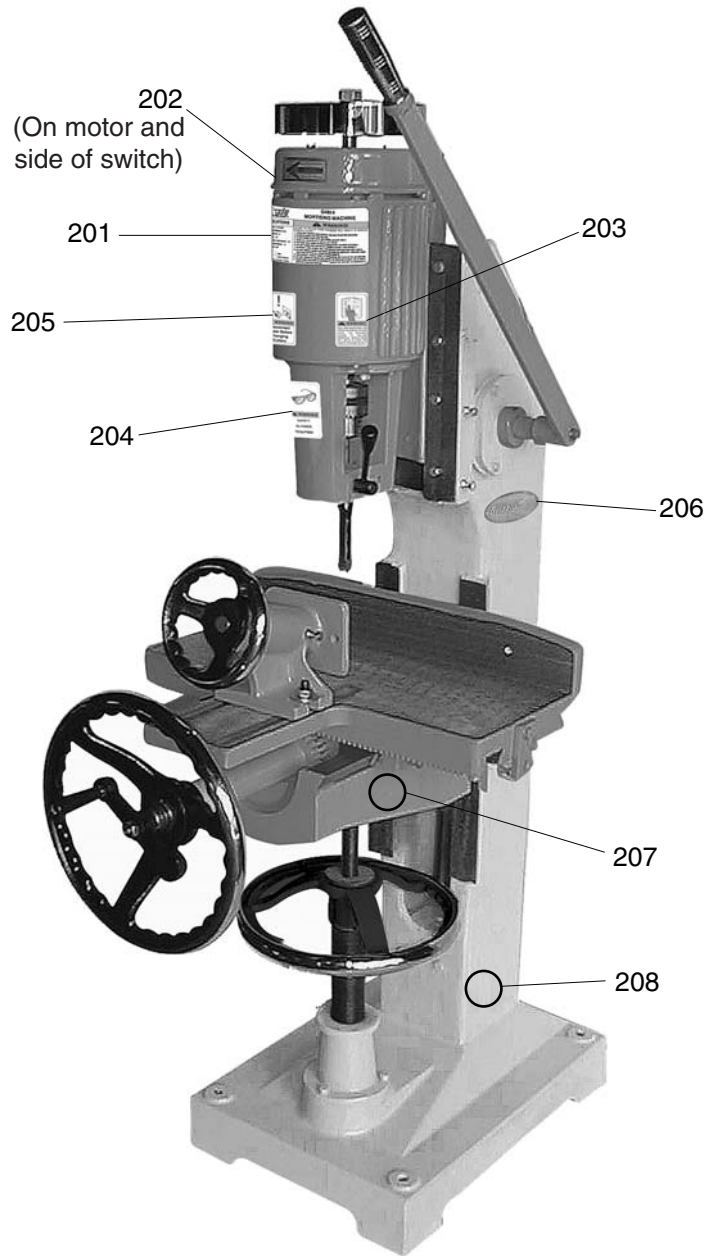
Parts List

REF	PART #	DESCRIPTION
1	P4814001	CHUCK KEY
2	P4814002	CHISEL HOUSING LOCK LEVER
3	P4814003	STRAIN RELIEF
4	P4814004	CHISEL HOUSING LOCK KNOB
5	PN08	HEX NUT 3/8-16
6	P4814006	HEX NUT 5/8-11 LH
7	PLW06	LOCK WASHER 5/8
8	P4814008	MOTOR ACCELERATOR COVER
9	P4814009	MOTOR ACCELERATOR
10	PS07	PHLP HD SCR 1/4-20 X 3/8
11	P4814011	MOTOR SPINDLE
12	P4814012	BIT CHUCK JT6-1/2"
13	P4814013	CHISEL HOUSING
14	P4814014	CHISEL SLEEVE 3/4"
15	P4814015	MOTOR TOP COVER
16	P4814016	BALL BEARING 6204
17	PB31	HEX BOLT 1/4-20 X 1
18	P4814018	MOTOR 2HP 220V 3PH
19	P4814019	MOTOR BASE
20	P4814020	BEARING CAP
21	PLW02	LOCK WASHER 1/4
22	PB05	HEX BOLT 1/4-20 X 3/4
23	P4814023	BEARING RETAINER
24	PLW01	LOCK WASHER 5/16
25	PB26M	HEX BOLT M8-1.25 X 30
26	P4814026	MORTISE AUGER BIT 1/2"
27	P4814027	MORTISE CHISEL 1/2"
28	P4814028	MOTOR WIRING JUNCTION BOX
29	P4814029	TABLE
30	PB03	HEX BOLT 5/16-18 X 1
31	PN02	HEX NUT 5/16-18
32	P4814032	CROSS SLIDE LOCK LEVER
33	PB11	HEX BOLT 5/16-18 X 1-1/2
34	P4814034	CROSS SLIDE GIB
35	P4814035	TABLE RACK
36	PB03	HEX BOLT 5/16-18 X 1
37	PLW01	LOCK WASHER 5/16
38	PSS16M	SET SCREW M8-1.25 X 10
39	P4814039	FLAT BALL HANDLE
40	P2901	THRUST BEARING 2901
41	P4814041	CROSS LEADSCREW
42	PN06	HEX NUT 1/2-13
43	P4814043	HANDLE
44	P4814044	LONGITUDINAL HANDWHEEL
45	P4814045	T-BOLT 1/2-13
46	P4814046	WISE HANDWHEEL
47	PSS18	SET SCREW 5/16-18 X 3/4
48	P4814048	WISE LEADSCREW
49	P4814049	WISE HOUSING
50	P4814050	WISE CLAMP
51	P4814051	LONGITUDINAL GIB
52	P4814052	CROSS SLIDE
53	P4814053	LEADSCREW SLEEVE
54	P4814054	PINION SHAFT

REF	PART #	DESCRIPTION
55	P4814055	LEADSCREW NUT
56	P4814056	VERTICAL HANDWHEEL
57	P4814057	UPPER VERTICAL LEADSCREW
58	P4814058	LOWER VERTICAL LEADSCREW
59	P4814059	LOWER LEADSCREW BASE
60	PB78	HEX BOLT 1/2-13 X 1-1/4
61	P4814061	KNEE MOUNT
62	P4814062	KNEE
63	PLW07	LOCK WASHER 1/2
64	P2904	BALL BEARING 2904
65	P4814065	KNEE GIB
66	P4814066	KNEE LOCK LEVER
67	P4814067	LIMIT STOP BRACKET
68	P4814068	LIMIT STOP BOLT
69	P4814069	OPERATING HANDLE
70	PB25	HEX BOLT 3/8-16 X 1-3/4
71	PLW04	LOCK WASHER 3/8
72	P4814072	BALL OILER
73	P4814073	SPRING TENSION BRACKET
74	PB18	HEX BOLT 3/8-16 X 1
75	P4814075	MOTOR PIVOT
76	PLW01	LOCK WASHER 5/16
77	PB12	HEX BOLT 5/16-18 X 1-1/4
78	P4814078	MOTOR PIVOT COVER
79	P4814079	MOTOR PIVOT BUSHING
80	PB11	HEX BOLT 5/16-18 X 1-1/2
81	PB12	HEX BOLT 5/16-18 X 1-1/4
82	P4814082	HEAD GIB
83	PB18	HEX BOLT 3/8-16 X 1
84	P4814084	PIN 1/2"
85	P4814085	MOTOR PIVOT BRACKET
86	PB16	HEX BOLT 3/8-16 X 1-1/2
87	P4814087	EXTENSION SPRING
88	P4814088	SPRING CONNECTOR
89	P4814089	COLUMN
90	P4814090	BASE
91	PW01	FLAT WASHER 1/2
92	P4814092	DEPTH STOP BRACKET
93	P4814093	DEPTH STOP BOLT 1/2-13 X 8
94	PN08	HEX NUT 3/8-16
95	PSS07	SET SCREW 1/4-20 X 1/2
96	P4814096	MOTOR PIVOT CONNECTOR
97	PLW07	LOCK WASHER 1/2
98	PB55	HEX BOLT 1/2-13 X 1-1/2
99	P4814099	POWER ON/OFF SWITCH ASSY
100	P4814100	SPEED SWITCH ASSY
101	P4814101	COLUMN COVER
102	PS07	PHLP HD SCR 1/4-20 X 3/8
103	P4814103	MORTISE AUGER BIT 1/4"
104	P4814104	MORTISE CHISEL 1/4"
105	P4814105	MORTISE AUGER BIT 3/8"
106	P4814106	MORTISE CHISEL 3/8"
107	P4814107	CHISEL SLEEVE 5/8"



Label Placement



REF	PART #	DESCRIPTION
201	P4814201	MACHINE ID LABEL
202	PLABEL-14A	ELECTRICITY LABEL
203	PLABEL-12A	READ MANUAL LABEL VL
204	PLABEL-11A	SAFETY GLASSES LABEL VL

REF	PART #	DESCRIPTION
205	PLABEL-63	DISCONNECT LABEL 220V VL
206	G9987	GRIZZLY OVAL NAMEPLATE SM
207	PPAINT-1	GRIZZLY GREEN TOUCH UP PAINT
208	PPAINT-11	GRIZZLY PUTTY TOUCH UP PAINT

WARNING

Safety labels warn about machine hazards and ways to prevent injury. The owner of this machine **MUST** maintain the original location and readability of the labels on the machine. If any label is removed or becomes unreadable, **REPLACE** that label before using the machine again. Contact Grizzly at (800) 523-4777 or www.grizzly.com to order new labels.

