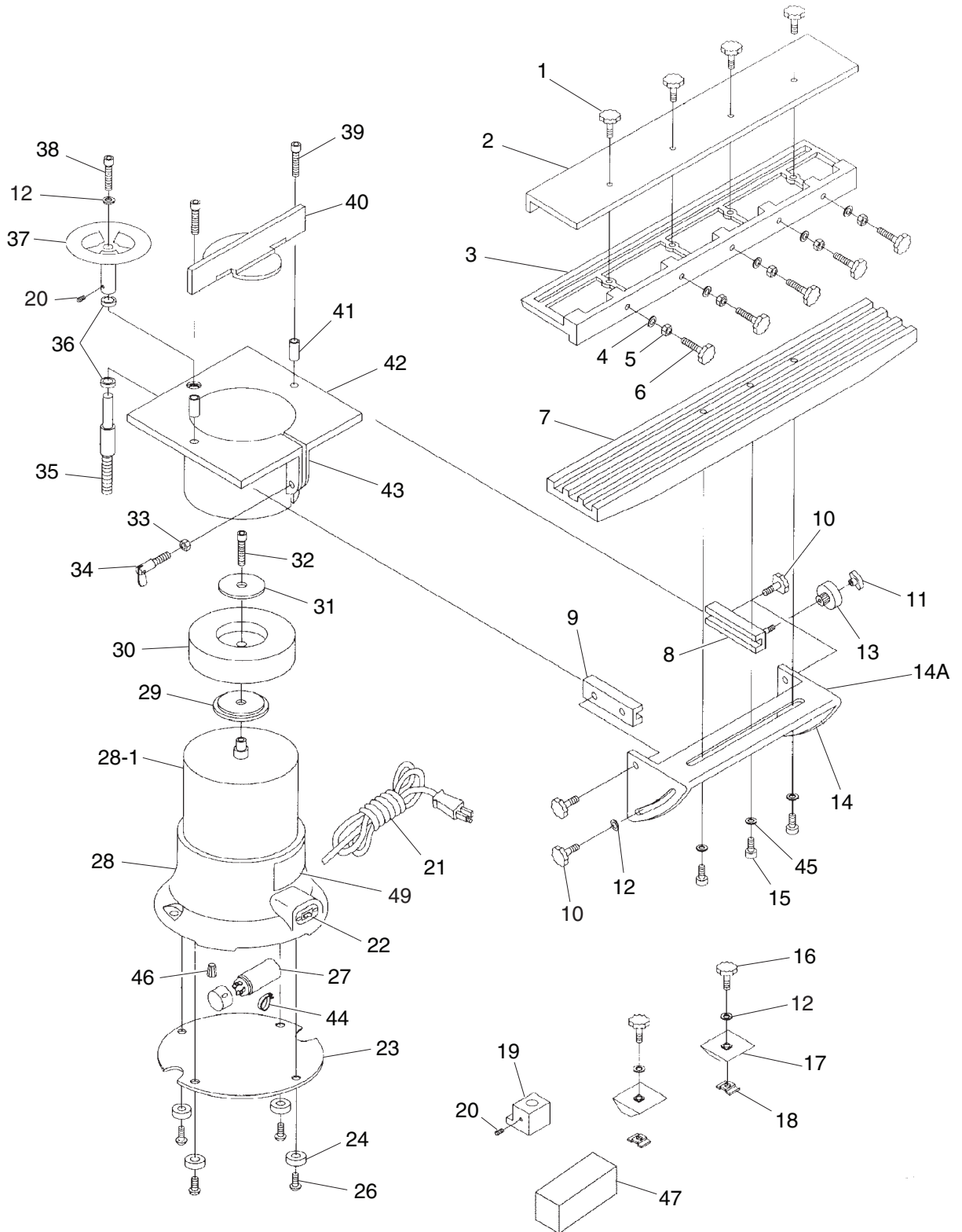


SECTION 9: PARTS

Parts Breakdown



Parts List

REF	PART #	DESCRIPTION
1	P2790001	STAR KNOB 1/4-20 X 7/8
2	P2790002	KNIFE CLAMP
3	P2790003	SLIDE BAR
4	POR0062	O-RING 6 X 2
5	PN05	HEX NUT 1/4-20
6	P2790006	STAR KNOB 1/4-20 X 2-3/4
7	P2790007	SLIDE TABLE
8	P2790008	PIVOT SUPPORT FLANGE RIGHT
9	P2790009	PIVOT SUPPORT FLANGE LEFT
10	P4223002	STAR KNOB 1/4-20 X 1/2
11	P2790011	PIVOT KNOB
12	PW06	FLAT WASHER 1/4
13	P2790013	PIVOT ROTATION WHEEL
14	P2790014	PIVOT SUPPORT
14A	P2790014A	DEGREE SCALE
15	PB09	HEX BOLT 5/16-18 X 1/2
16	P2790016	STAR KNOB 10-24 X 3/4
17	P2790017	STATIONARY CLAMP
18	P2790018	SPECIAL LOCK NUT 10-24
19	P2790019	DRESSING TOOL HOLDER
20	PSS02	SET SCREW 5/16-18 X 3/8
21	PWRCRD110L	POWER CORD W/5-15 PLUG
22	P2790022	ON/OFF SWITCH
23	P2790023	COVER PLATE
24	P2790024	RUBBER BASE FOOT

REF	PART #	DESCRIPTION
26	PS01	FLANGE SCREW 10-24 X 1/2
27	P2790027	S CAP 10UF 250VAC 1-1/8 X 1-1/2
28	P2790028	MOTOR HOUSING
28-1	P2790028-1	MOTOR 1/2HP 110V 60HZ
29	P2790029	BOTTOM WHEEL FLANGE
30	G7416	GRINDING WHEEL 5/8"/5/A/0/120G
31	P2790031	TOP WHEEL FLANGE
32	PSB10M	CAP SCREW M5-.8 X 15
33	PN02	HEX NUT 5/16-18
34	P2790034	TABLE LOCK LEVER
35	P2790035	TABLE LEADSCREW 5/8-11 X 3-3/4
36	P2790036	STEEL BALL
37	P2790037	HANDWHEEL
38	PB02	HEX BOLT 1/4-20 X 5/8
39	PSB79M	CAP SCREW M5-.8 X 35
40	P2790040	WHEEL GUARD
41	P2790041	SPACER
42	P2790042	GRINDING TABLE
43	P2790043	WARNING LABEL
44	P2790044	CAPACITOR CLIP
45	PW07	FLAT WASHER 5/16
46	PWRN01	WIRE NUT 14-22 GAUGE
47	P2790047	DRESSING STONE
49	P2790049	MACHINE ID LABEL

