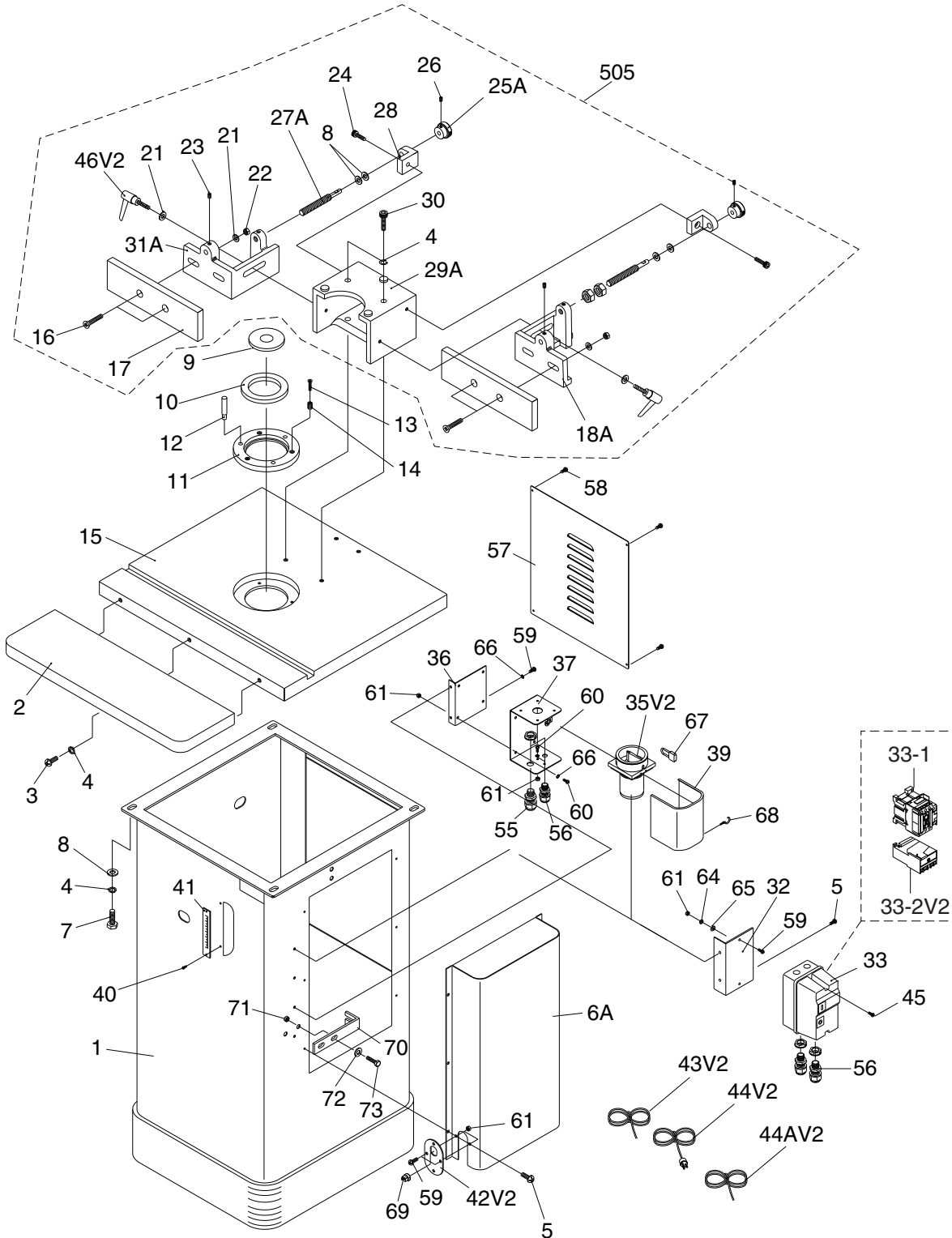


SECTION 9: PARTS

We do our best to stock replacement parts when possible, but we cannot guarantee that all parts shown are available for purchase. Call (800) 523-4777 or visit www.grizzly.com/parts to check for availability.

Stand & Table



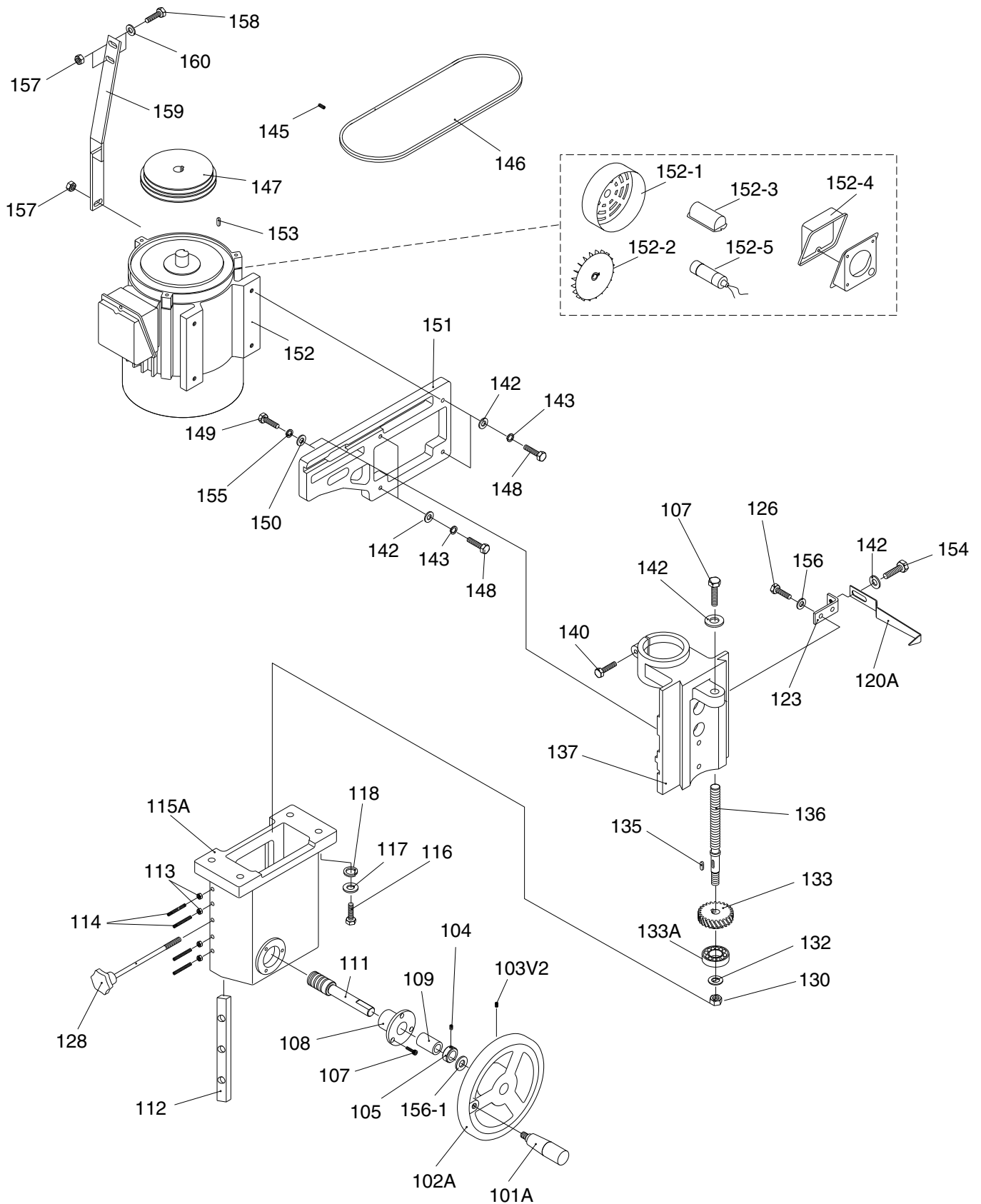
Stand & Table Parts List

REF	PART #	DESCRIPTION
1	P1026001	STAND BODY
2	P1026002	EXTENSION WING
3	P1026003	HEX BOLT 3/8-16 X 1
4	P1026004	LOCK WASHER 3/8
5	P1026005	PHLP HD SCR 1/4-20 X 3/8
6A	P1026006A	STAND SIDE COVER V2.01.06
7	P1026007	HEX BOLT 3/8-16 X 3/4
8	P1026008	FLAT WASHER 3/8
9	P1026009	TABLE INSERT 1-1/2" ID
10	P1026010	TABLE INSERT 2-15/16" ID
11	P1026011	TABLE INSERT RING 4-1/4" ID
12	P1026012	STARTING PIN
13	P1026013	FLAT HD SCR 10-24 X 1
14	P1026014	BARREL SCREW 7/16-14 X 1/2
15	P1026015	TABLE
16	P1026016	FLAT HD SCR 5/16-18 X 1-1/2
17	P1026017	FENCE BOARD
18A	P1026018A	FENCE MOUNT (RH) V2.12.95
21	P1026021	FENDER WASHER 5/16
22	P1026022	HEX NUT 5/16-18
23	P1026023	SET SCREW 5/16-18 X 3/8
24	P1026024	CAP SCREW 5/16-18 X 3/4
25A	P1026025A	KNURLED KNOB 8MM D32
26	P1026026	SET SCREW 5/16-18 X 1/4
27A	P1026027A	FENCE ADJ SCREW 1/2-13 X 4-1/4 V2.12.95
28	P1026028	ADJUST SCREW BRACKET
29A	P1026029A	MAIN FENCE HOUSING V2.02.06
30	P1026030	CAP SCREW 3/8-16 X 1
31A	P1026031A	FENCE MOUNT (LH) V2.12.95
32	P1026032	MAGNETIC SWITCH MOUNT BRACKET
33	P1026033	MAGNETIC SWITCH 3HP 1PH
33-1	P1026033-1	CONTACTOR SDE MA-15 220V

REF	PART #	DESCRIPTION
33-2V2	P1026033-2V2	OL RELAY SDE RA-20 12-18A V2.11.12
35V2	P1026035V2	FWD/REV SWITCH V2.04.10
36	P1026036	SWITCH MOUNT BRACKET
37	P1026037	SWITCH BOX
39	P1026039	SWITCH BOX COVER V1.10.95
40	P1026040	TAP SCREW #6 X 1/2
41	P1026041	SPINDLE HEIGHT SCALE
42V2	P1026042V2	CORD GROMMET V2.04.10
43V2	P1026043V2	MOTOR CORD 14G 4C 30" V2.04.10
44AV2	P1026044AV2	SWITCH CORD 14AWG 3C 27" V2.04.10
44V2	P1026044V2	POWER CORD 14G 3C 76" 6-15 V2.04.10
45	P1026045	WHITE SWITCH COVER SCREW V1.12.95
46V2	P1026046V2	ADJUSTABLE HANDLE 5/16-18 V2.02.06
55	P1026055	STRAIN RELIEF M16 TYPE-6 ST
56	P1026056	STRAIN RELIEF M16 TYPE-1 SNAP-IN
57	P1026057	REAR STAND PANEL
58	P1026058	FLANGE SCREW 10-24 X 3/8
59	P1026059	PHLP HD SCR 10-24 X 1/2
60	P1026060	PHLP HD SCR 10-24 X 3/8
61	P1026061	HEX NUT 10-24
64	P1026064	LOCK WASHER #10
65	P1026065	FLAT WASHER #10
66	P1026066	EXT TOOTH WASHER #10
67	P1026067	SWITCH PADLOCK
68	P1026068	PADLOCK STORAGE HOOK
69	P1026069	STRAIN RELIEF M16 TYPE-6 ST
70	P1026070	MOTOR SHIPPING BRACE
71	P1026071	HEX NUT 5/16-18
72	P1026072	FLAT WASHER 5/16
73	P1026073	HEX BOLT 5/16-18 X 3/4
505	P1026505	COMPLETE FENCE ASSY



Motor & Handwheel



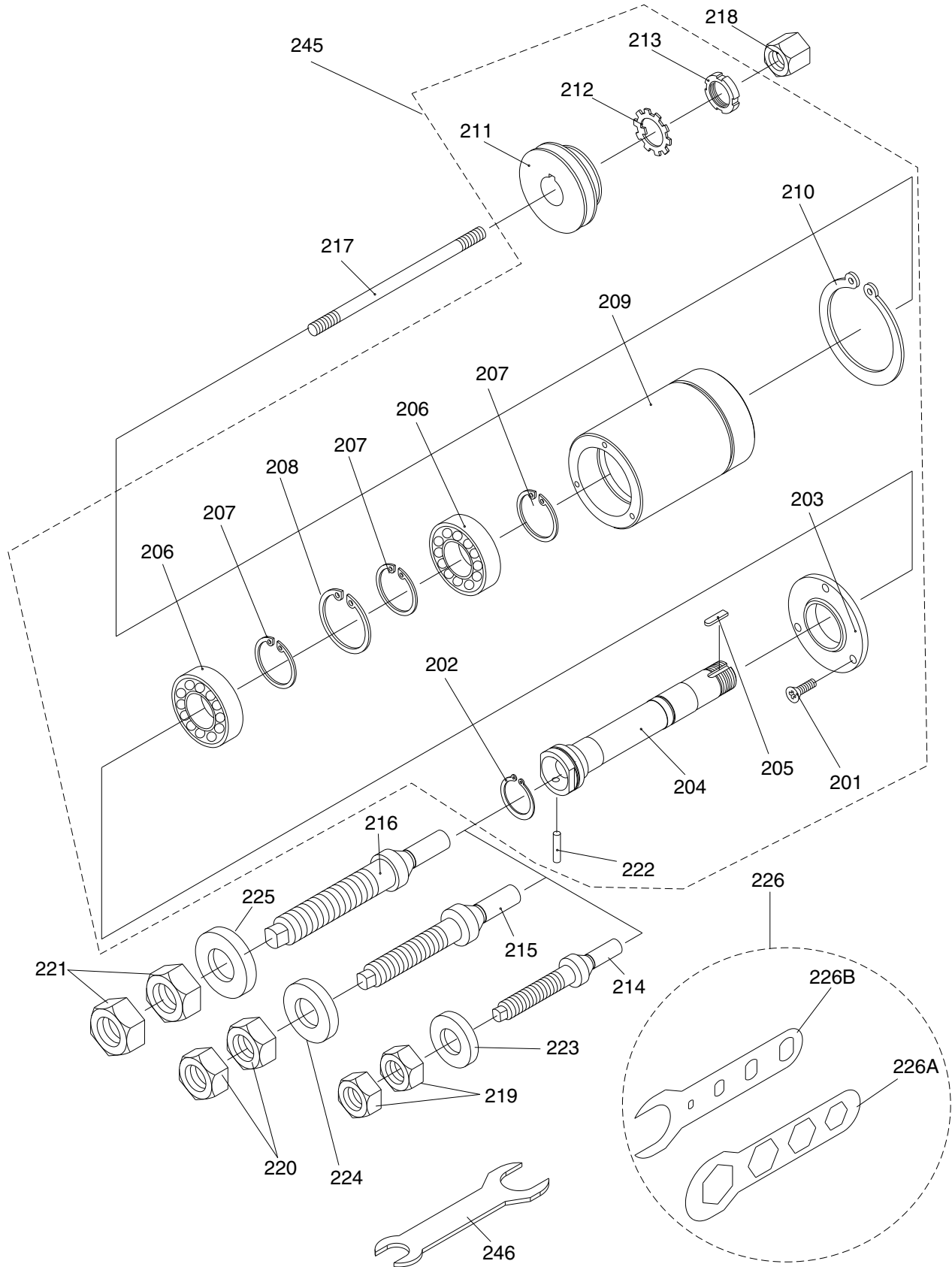
Motor & Handwheel Parts List

REF	PART #	DESCRIPTION
101A	P1026101A	HANDWHEEL HANDLE V2.01.06
102A	P1026102A	HANDWHEEL V2.01.06
103V2	P1026103V2	SET SCREW 3/8-16 X 3/8
104	P1026104	SET SCREW 5/16-18 X 5/16
105	P1026105	LOCK COLLAR
107	P1026107	HEX BOLT 5/16-18 X 3/4
108	P1026108	SHAFT MOUNT
109	P1026109	BUSHING 24 X 19 X 24
111	P1026111	WORM SHAFT
112	P1026112	GIB
113	P1026113	HEX NUT 5/16-18
114	P1026114	SET SCREW 5/16-18 X 1-3/8
115A	P1026115A	ELEVATION HOUSING GREEN V2.10.98
116	P1026116	HEX BOLT 1/2-13 X 1-3/4
117	P1026117	FLAT WASHER 1/2
118	P1026118	LOCK WASHER 1/2
120A	P1026120A	POINTER V2.02.98
123	P1026123	POINTER MOUNT
126	P1026126	HEX BOLT 1/4-20 X 1/2
128	P1026128	LOCK KNOB BOLT
130	P1026130	LOCK NUT 5/8-11
132	P1026132	BEARING FLAT WASHER 5/8
133	P1026133	ELEVATION BEVEL GEAR
133A	P1026133A	THRUST BEARING 51103
135	P1026135	KEY 5 X 5 X 18
136	P1026136	ELEVATION LEADSCREW 3/4 X 7-1/2

REF	PART #	DESCRIPTION
137	P1026137	SPINDLE BRACKET
140	P1026140	HEX BOLT 3/8-16 X 1-1/2
142	P1026142	FLAT WASHER 5/16
143	P1026143	LOCK WASHER 5/16
145	P1026145	SET SCREW 5/16-24 X 5/8
146	P1026146	V-BELT 7 X 690
147	P1026147	MOTOR PULLEY
148	P1026148	HEX BOLT 5/16-18 X 1
149	P1026149	HEX BOLT 1/2-13 X 1-3/4
150	P1026150	FLAT WASHER 1/2
151	P1026151	MOTOR MOUNT PLATE
152	P1026152	MOTOR 3HP 220V 1-PH
152-1	P1026152-1	MOTOR FAN COVER
152-2	P1026152-2	MOTOR FAN
152-3	P1026152-3	CAPACITOR COVER
152-4	P1026152-4	MOTOR JUNCTION BOX
152-5	P1026152-5	S CAPACITOR 400M 125V 1-3/4 X 3-3/8
153	P1026153	KEY 5 X 5 X 30
154	P1026154	HEX BOLT 5/16-18 X 3/8
155	P1026155	LOCK WASHER 1/2
156	P1026156	FLAT WASHER 1/4
156-1	P1026156-1	HANDWHEEL WASHER
157	P1026157	HEX NUT 5/16-18
158	P1026158	HEX BOLT 5/16-18 X 3/4
159	P1026159	TOP MOTOR SHIPPING BRACE
160	P1026160	FLAT WASHER 5/16



Spindle



Spindle Parts List

REF	PART #	DESCRIPTION
201	P1026201	PHLP HD SCR 10-24 X 1/2
202	P1026202	EXT RETAINING RING 35MM
203	P1026203	QUILL FLANGE
204	P1026204	SPINDLE CARTRIDGE
205	P1026205	KEY 5 X 5 X 15
206	P1026206	BALL BEARING 6205ZZ
207	P1026207	INT RETAINING RING 25MM
208	P1026208	INT RETAINING RING 52MM
209	P1026209	SPINDLE HOUSING
210	P1026210	EXT RETAINING RING 70MM
211	P1026211	SPINDLE PULLEY
212	P1026212	TOOTHED WASHER 3/4" LARGE
213	P1026213	SPANNER NUT 3/4-10
214	P1026214	SPINDLE 1/2"
215	P1026215	SPINDLE 3/4"

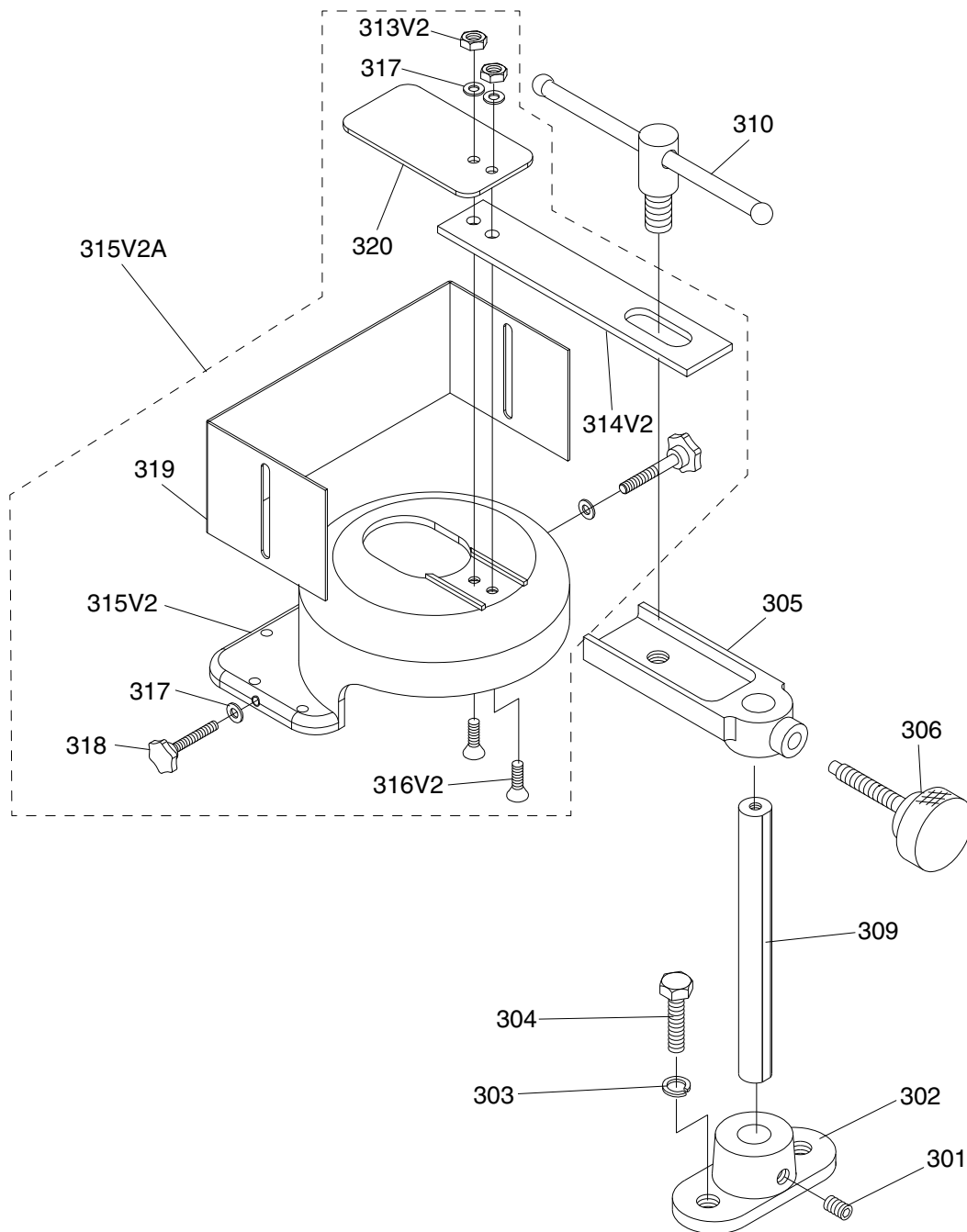
REF	PART #	DESCRIPTION
216	P1026216	SPINDLE 1"
217	P1026217	DRAWBAR 3/8-24 X 7-3/4
218	P1026218	DRAWBAR NUT 3/8-24
219	P1026219	SPINDLE NUT 1/2" 2PC SET
220	P1026220	SPINDLE NUT 3/4" 2PC SET
221	P1026221	SPINDLE NUT 1"-8 2PC SET
222	P1026222	PIN
223	P1026223	SPINDLE WASHER 1/2 X 26 X 3
224	P1026224	SPINDLE WASHER 3/4 X 32 X 3
225	P1026225	SPINDLE WASHER 1 X 38 X 3
226	P1026226	SPINDLE WRENCH SET
226A	P1026226A	SPINDLE WRENCH HEXAGONAL
226B	P1026226B	SPINDLE WRENCH RECTANGULAR
246	P1026246	COMBO WRENCH 7/8" X 1-1/4"

Spacers

Bore	Diameter	Height	Replacement Part #
1/2"	1"	1/4"	W1159
1/2"	1"	3/8"	W1160
1/2"	1"	1/2"	W1161
1/2"	1"	3/4"	W1162
3/4"	1-1/4"	1/4"	W1164
3/4"	1-1/4"	3/8"	W1165
3/4"	1-1/4"	1/2"	W1166
3/4"	1-1/4"	3/4"	W1167
1"	1-1/2"	1/4"	W1168
1"	1-1/2"	3/8"	W1170
1"	1-1/2"	1/2"	W1171
1"	1-1/2"	3/4"	W1172
1"	1-1/2"	1"	W1173
1-1/4"	1-3/4"	1/4"	W1174
1-1/4"	1-3/4"	3/8"	W1175
1-1/4"	1-3/4"	1/2"	W1176
1-1/4"	1-3/4"	3/4"	W1177
1-1/4"	1-3/4"	1"	W1178



Safety Guard

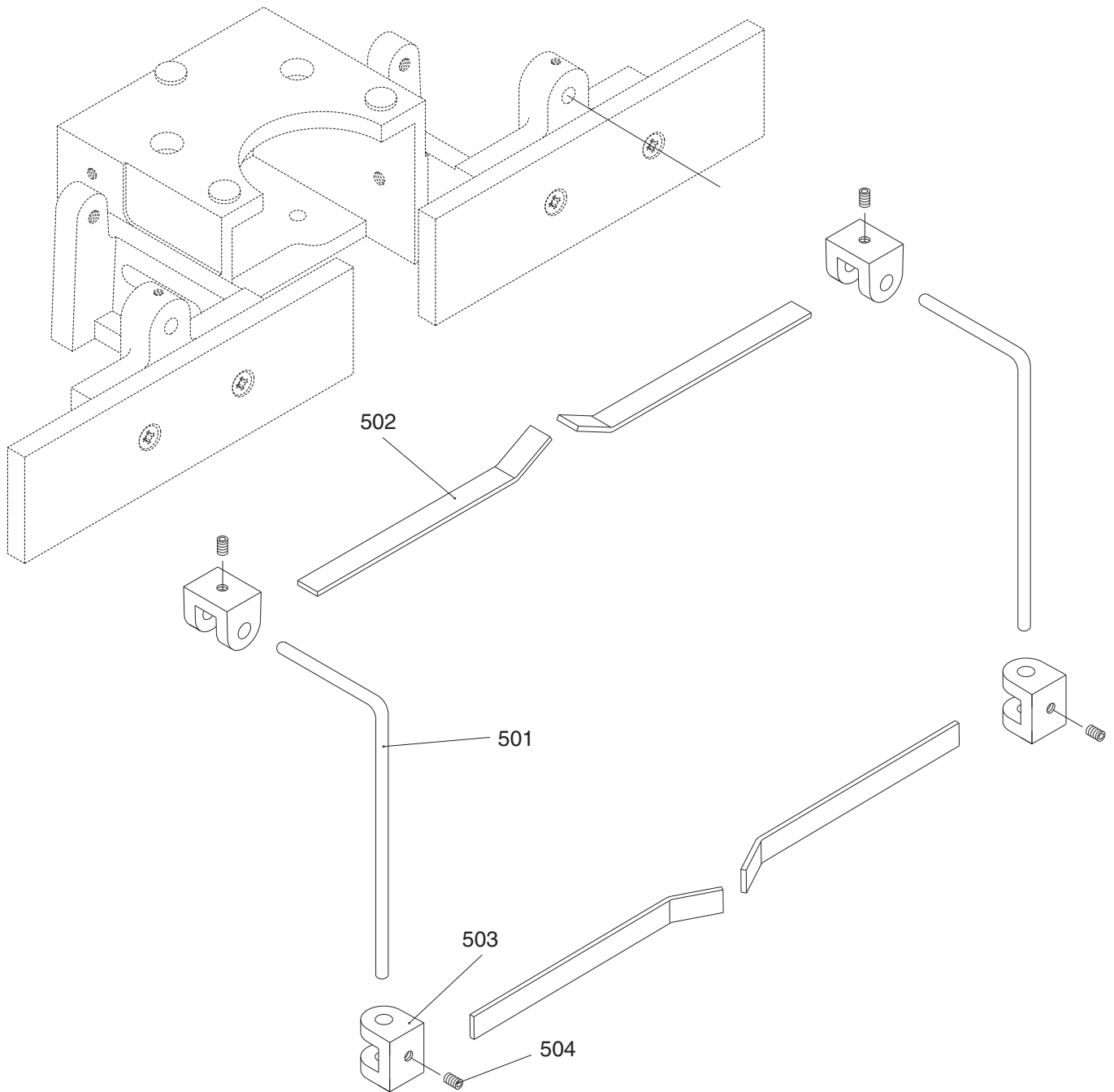


REF	PART #	DESCRIPTION
301	P1026301	SET SCREW 5/16-18 X 3/8
302	P1026302	SHAFT MOUNT
303	P1026303	LOCK WASHER 3/8
304	P1026304	HEX BOLT 3/8-16 X 3/4
305	P1026305	EXTENSION BRACKET
306	P1026306	LOCK KNOB BOLT
309	P1026309	SHAFT
310	P1026310	LOCK HANDLE
313V2	P1026313V2	HEX NUT 1/4-20

REF	PART #	DESCRIPTION
314V2	P1026314V2	EXTENSION BAR V2.08.13
315V2	P1026315V2	OVERHEAD GUARD CASTING V2.08.13
315V2A	P1026315V2A	SAFETY GUARD ASSEMBLY V2.08.13
316V2	P1026316V2	FLAT HD SCR 1/4-20 X 1
317	P1026317	FLAT WASHER 1/4
318	P1026318	KNOB BOLT 1/4-20 X 3/8
319	P1026319	FRONT SAFETY GUARD (STEEL)
320	P1026320	TOP SAFETY GUARD (PLASTIC)



Fence

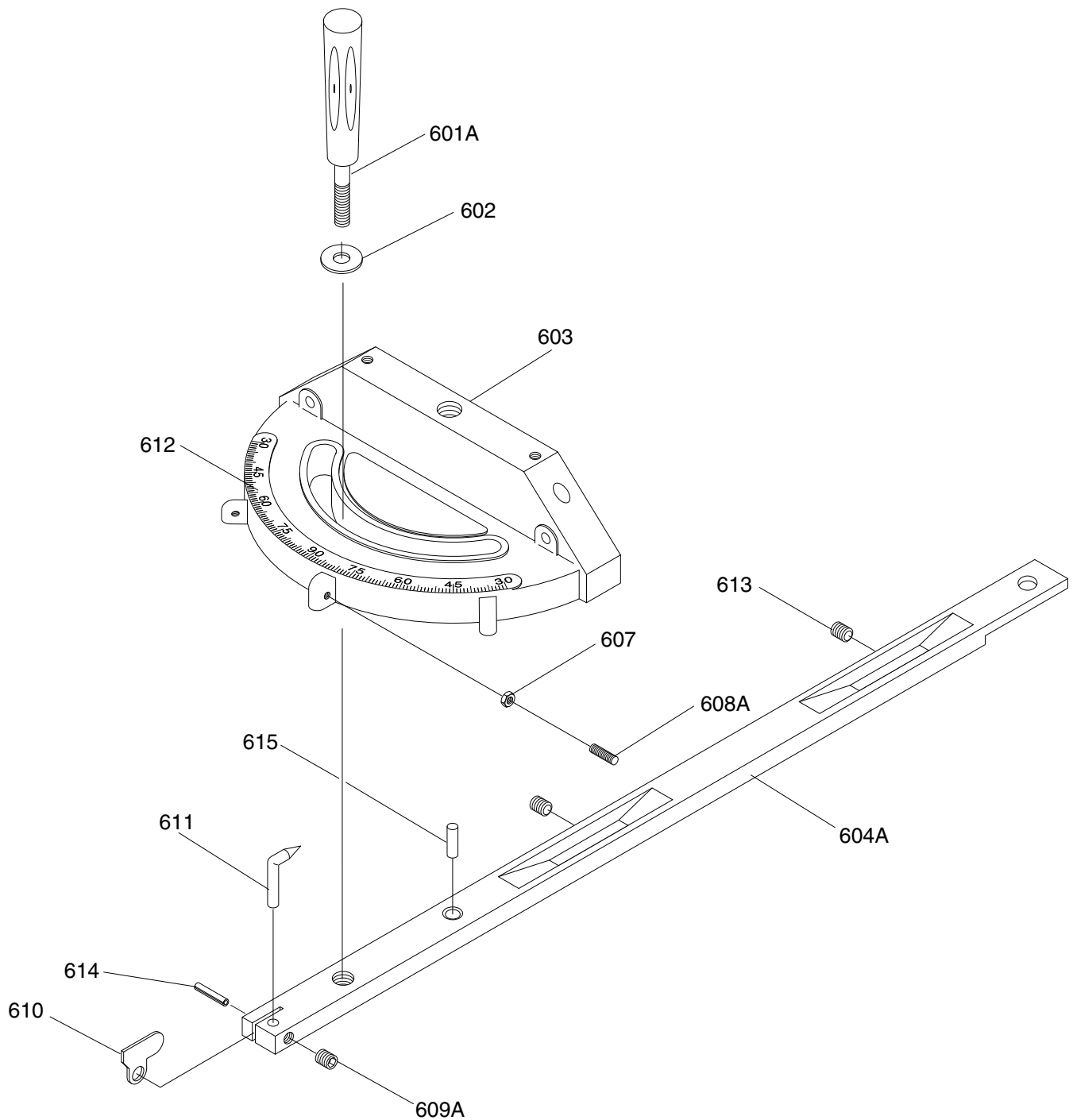


REF	PART #	DESCRIPTION
501	P1026501	HOLD-DOWN BAR
502	P1026502	HOLD-DOWN

REF	PART #	DESCRIPTION
503	P1026503	HOLD-DOWN BRACKET
504	P1026504	SET SCREW 5/16-18 X 3/8



Miter Gauge

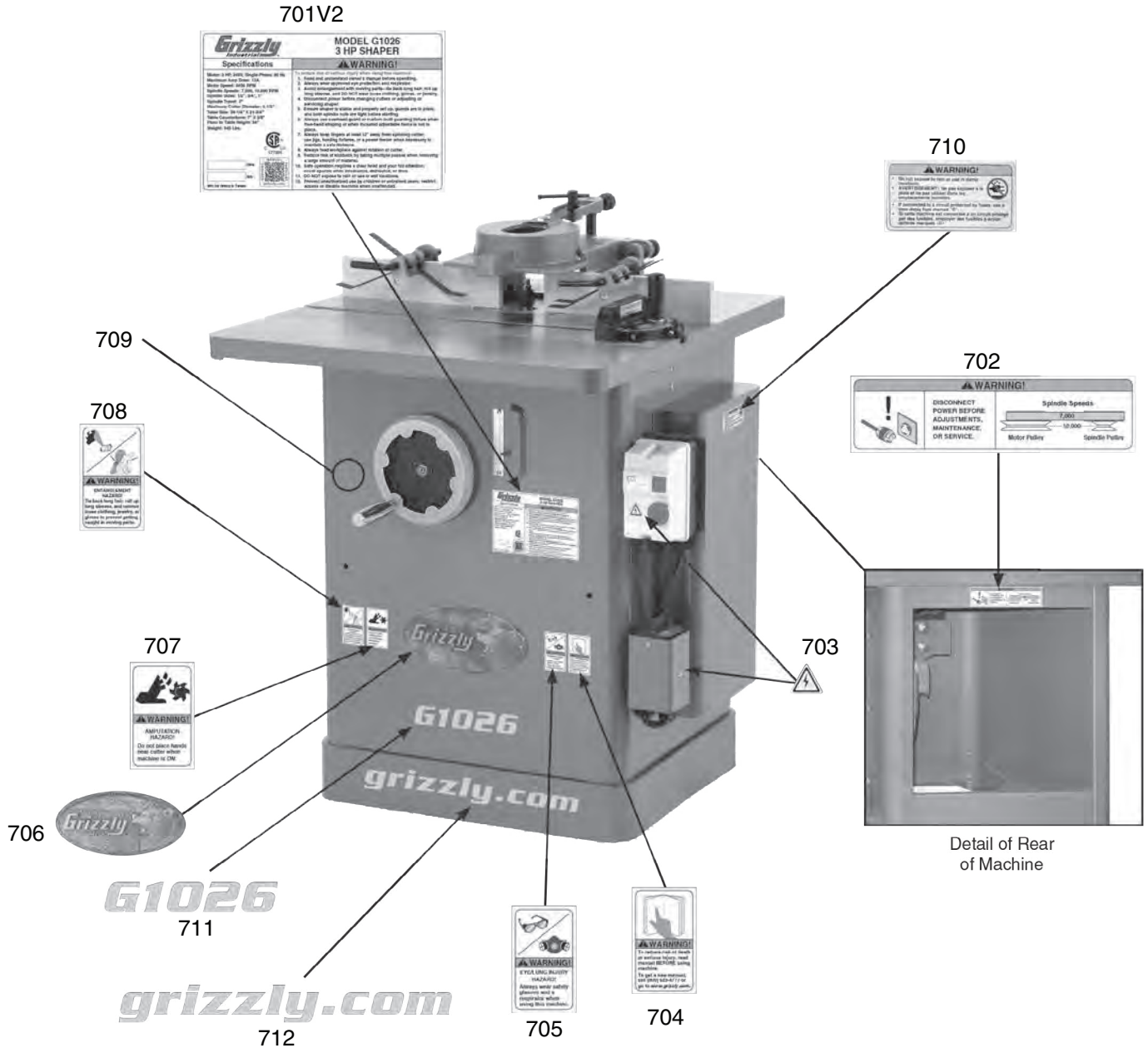


REF	PART #	DESCRIPTION
601A	P1026601A	KNOB V1.11.96
602	P1026602	FLAT WASHER 1/4
603	P1026603	MITER GAUGE BODY V2.05.07
604A	P1026604A	ADJUSTABLE MITER BAR
607	P1026607	HEX NUT 10-24
608A	P1026608A	SET SCREW 10-24 X 3/4
609A	P1026609A	SET SCREW 10-24 X 1/4

REF	PART #	DESCRIPTION
610	P1026610	MITER GAUGE STOP
611	P1026611	POINTER
612	P1026612	MITER GAUGE SCALE
613	P1026613	SET SCREW 10-24 X 5/8
614	P1026614	ROLL PIN 1.5 X 13
615	P1026615	MITER GAUGE HINGE PIN



Labels & Cosmetics



REF	PART #	DESCRIPTION
701V2	P1026701V2	MACHINE ID LABEL CSA + QR V2.10.13
702	P1026702	BELT POSITION LABEL
703	P1026703	ELECTRICITY LABEL
704	P1026704	READ MANUAL LABEL
705	P1026705	FACE SHIELD/RESPIRATOR LABEL
706	P1026706	GRIZZLY NAMEPLATE

REF	PART #	DESCRIPTION
707	P1026707	CUTTERHEAD WARNING LABEL
708	P1026708	ENTANGLEMENT HAZARD LABEL
709	P1026709	TOUCH-UP PAINT, GRIZZLY GREEN
710	P1026710	DAMPNESS WARNING LABEL
711	P1026711	MODEL NUMBER LABEL
712	P1026712	GRIZZLY.COM LABEL

⚠️ WARNING

Safety labels help reduce the risk of serious injury caused by machine hazards. If any label comes off or becomes unreadable, the owner of this machine **MUST** replace it in the original location before resuming operations. For replacements, contact (800) 523-4777 or www.grizzly.com.

