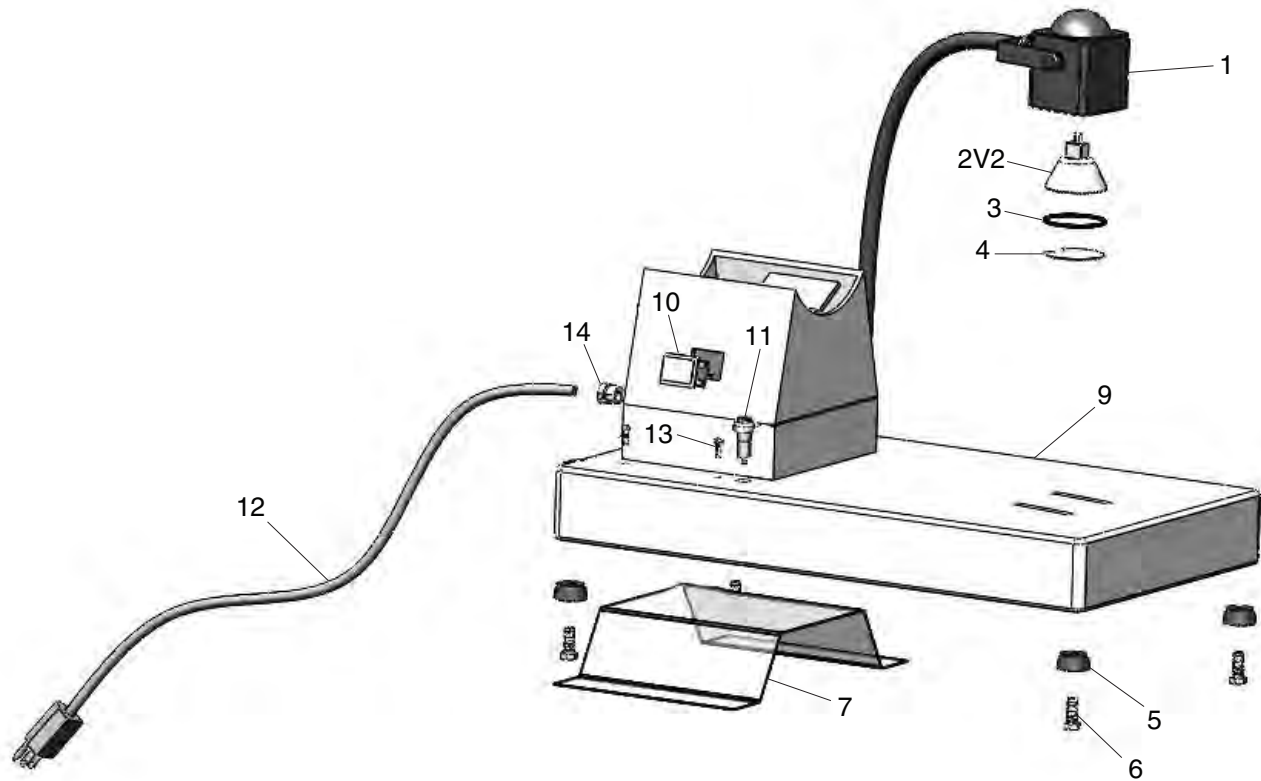


SECTION 9: PARTS

We do our best to stock replacement parts when possible, but we cannot guarantee that all parts shown are available for purchase. Call (800) 523-4777 or visit www.grizzly.com/parts to check for availability.

Base

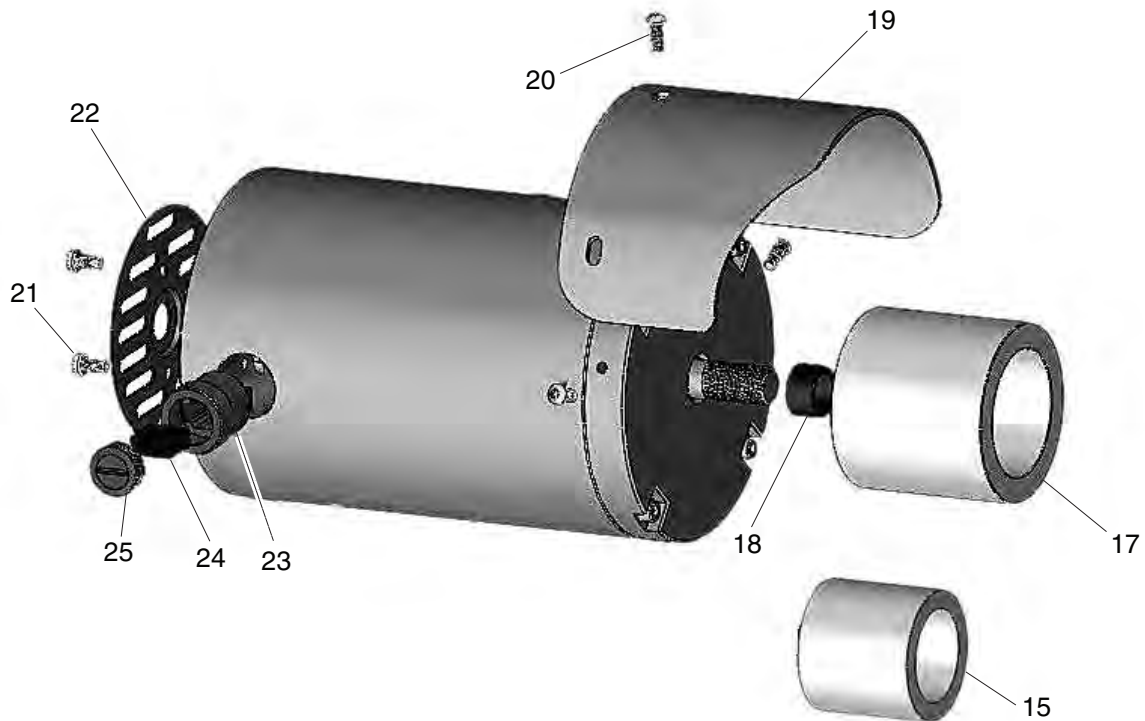


REF	PART #	DESCRIPTION
1	P0686001	LAMP HOUSING ASSEMBLY
2V2	P0686002V2	LED LAMP 5W 100-240V V2.02.19
3	P0686003	LAMP LENS
4	P0686004	LENS RUBBER SEAL
5	P0686005	RUBBER FOOT
6	P0686006	HEX BOLT M8-1.25 X 20
7	P0686007	ACRYLIC COVER

REF	PART #	DESCRIPTION
9	P0686009	BASE
10	P0686010	MOTOR POWER SWITCH 16A 250V
11	P0686011	LAMP SWITCH 12V-240V
12	P0686012	POWER CORD 16G 3W 73" 5-15P
13	P0686013	PHLP HD SCR M3-.5 X 10
14	P0686014	STRAIN RELIEF TYPE-6 5/8" ST



Motor & Wheel

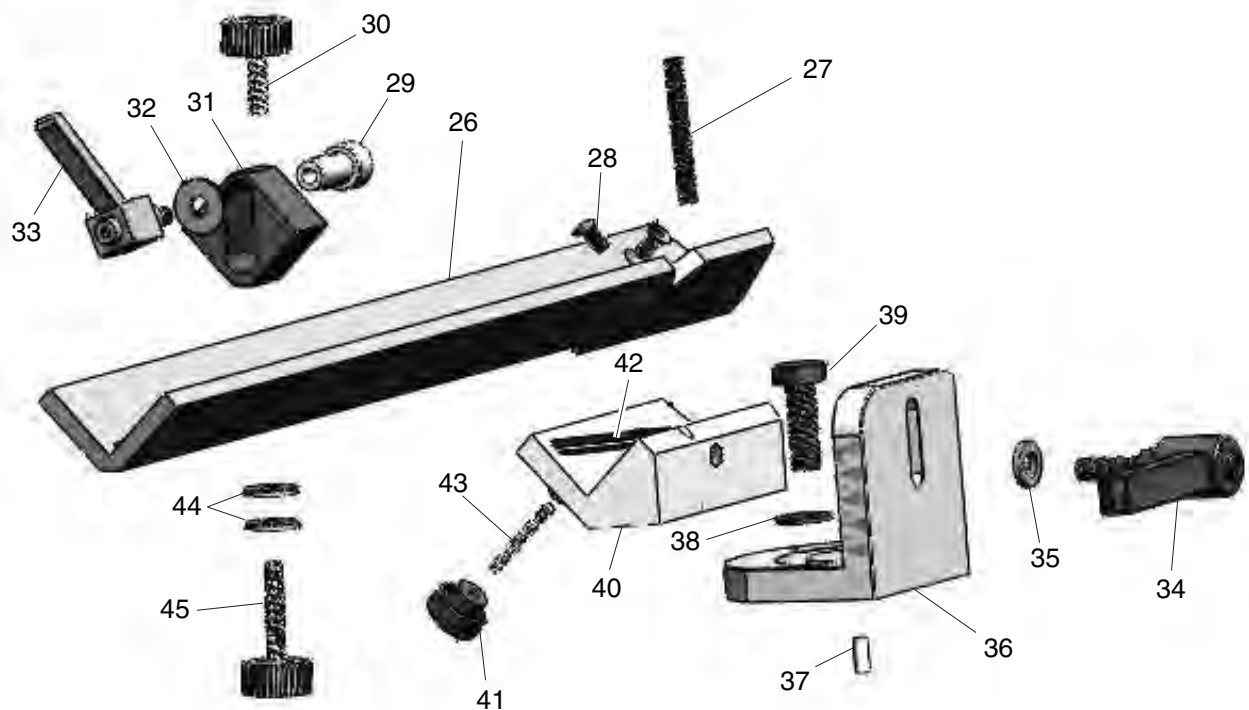


REF	PART #	DESCRIPTION
15	P0686015	GRINDING WHEEL 60G 60OD X 35MMID
17	P0686017	GRINDING WHEEL 60G 70OD X 54MMID
18	P0686018	ARBOR SPACER
19	P0686019	WHEEL GUARD
20	P0686020	BUTTON HD CAP SCR M5-.8 X 12

REF	PART #	DESCRIPTION
21	P0686021	PHLP HD SCR M5-.8 X 10
22	P0686022	FAN COVER
23	P0686023	MOTOR BRUSH HOUSING
24	P0686024	MOTOR BRUSH
25	P0686025	MOTOR BRUSH CAP



Jig Assembly

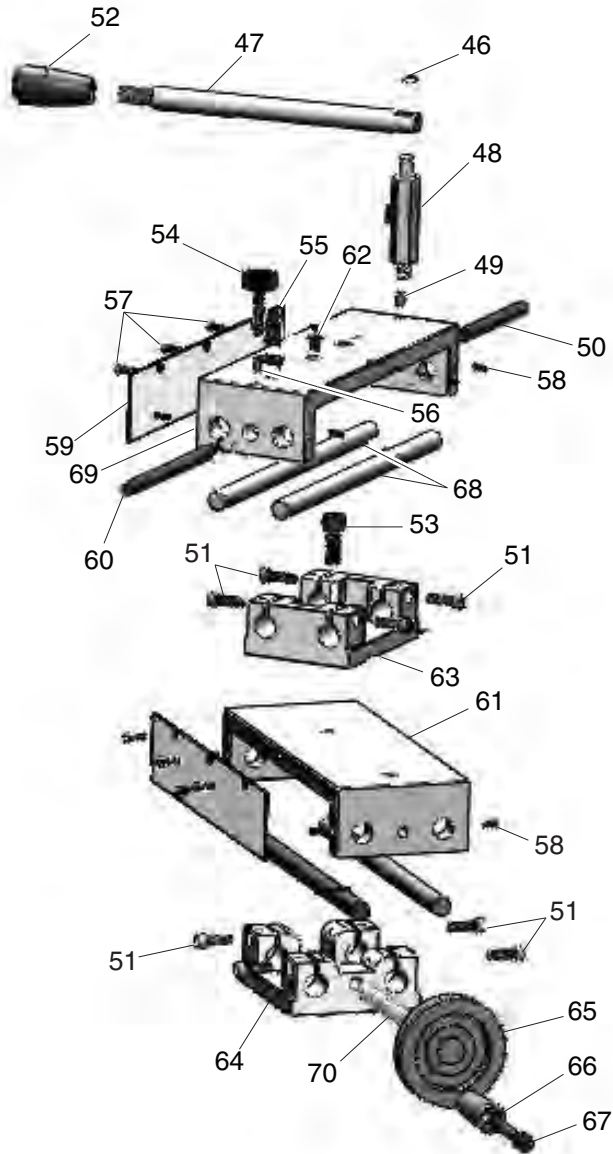


REF	PART #	DESCRIPTION
26	P0686026	BIT CARRIER
27	P0686027	SET SCREW M6-1 X 50
28	P0686028	FLAT HD SCR M5-.8 X 8
29	P0686029	THREADED LOCK SHAFT
30	P0686030	KNURLED KNOB M6-1 X 32
31	P0686031	SLIDE BLOCK
32	P0686032	FLAT WASHER 6MM
33	P0686033	LOCK LEVER M6-1 X 12
34	P0686034	LOCK LEVER M8-1.25 X 25
35	P0686035	FLAT WASHER 8MM

REF	PART #	DESCRIPTION
36	P0686036	JIG BASE
37	P0686037	PIN 5 X 12
38	P0686038	FLAT WASHER 10MM
39	P0686039	HEX BOLT M10-1.5 X 30
40	P0686040	SLOTTED V-BLOCK
41	P0686041	KNURLED KNOB M4-.7
42	P0686042	HEX NUT M4-.7
43	P0686043	SPECIAL SET SCREW M4-.7 X 32
44	P0686044	FLAT WASHER 6MM
45	P0686045	KNURLED KNOB M6-1 X 30



Pivot Base & Carriage

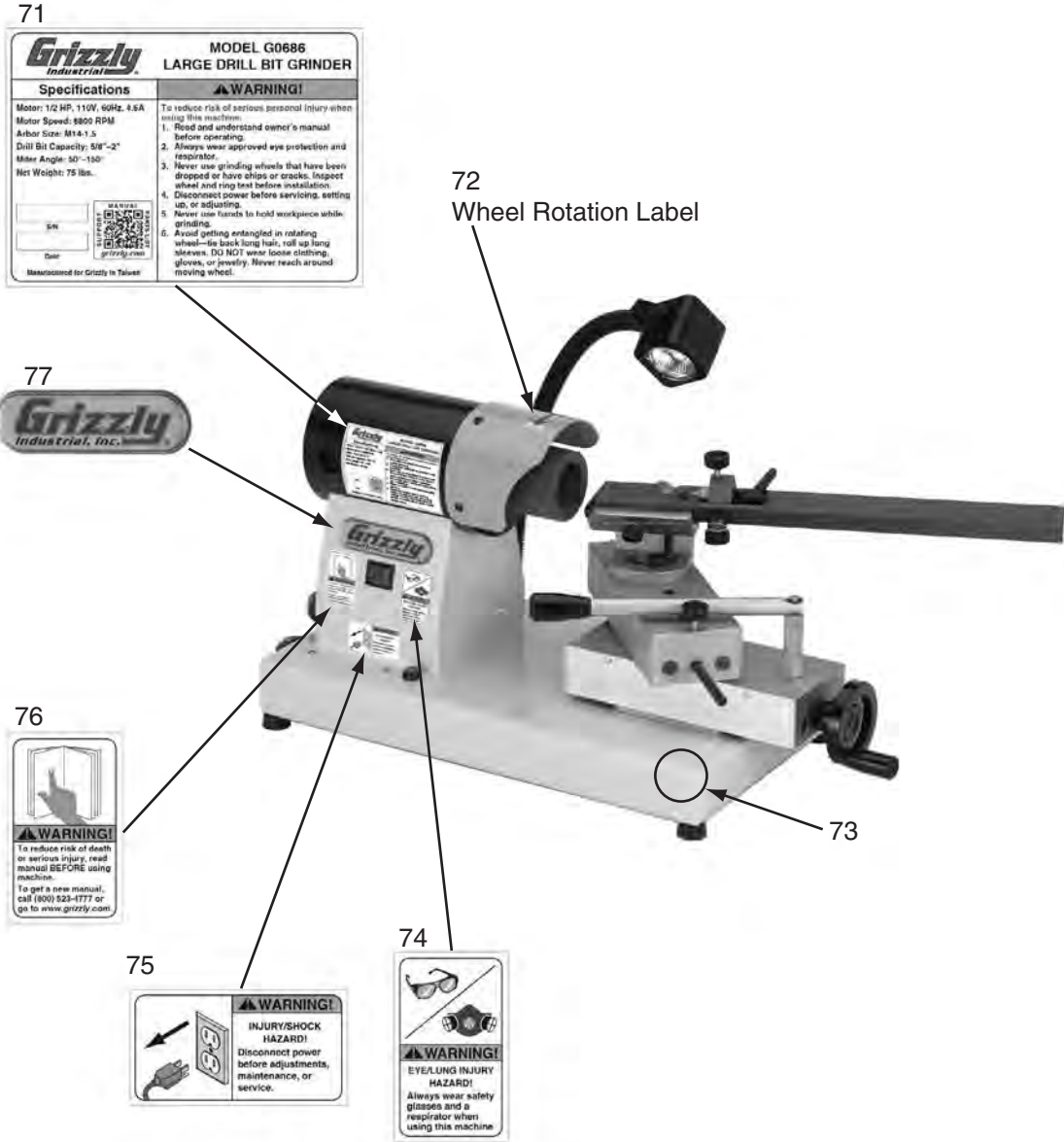


REF	PART #	DESCRIPTION
46	P0686046	E-CLIP 10MM
47	P0686047	PIVOT HANDLE
48	P0686048	HANDLE AXLE
49	P0686049	COPPER PIN
50	P0686050	REAR STOP ROD
51	P0686051	CAP SCREW M6-1 X 20
52	P0686052	KNOB 1/2-20
53	P0686053	CAP SCREW M10-1.5 X 25
54	P0686054	KNURLED KNOB M6-1 X 30
55	P0686055	SPECIAL SCREW M10-1.5 X 25
56	P0686056	SPECIAL HEX NUT M10-1.5
57	P0686057	PHLP HD SCR M4-.7 X 10
58	P0686058	SLIDE AXIS SCREW M4-.7 X 10

REF	PART #	DESCRIPTION
59	P0686059	CARRIAGE COVER
60	P0686060	FRONT STOP ROD
61	P0686061	CARRIAGE
62	P0686062	PLUG
63	P0686063	UPPER CONNECTING BLOCK
64	P0686064	LOWER CONNECTING BLOCK
65	P0686065	HANDWHEEL
66	P0686066	HANDLE
67	P0686067	SPECIAL SCREW M6-1 X 55
68	P0686068	SLIDE BAR
69	P0686069	PIVOT BASE
70	P0686070	CARRIAGE LEADSCREW



Labels & Cosmetics



REF	PART #	DESCRIPTION
71	P0686071	MACHINE ID LABEL
72	P0686072	WHEEL ROTATION LABEL
73	P0686073	GRIZZLY PUTTY TOUCH-UP PAINT
74	P0686074	EYE/LUNG HAZARD LABEL

REF	PART #	DESCRIPTION
75	P0686075	DISCONNECT POWER LABEL
76	P0686076	READ MANUAL LABEL
77	P0686077	GRIZZLY LOGO

⚠ WARNING

Safety labels help reduce the risk of serious injury caused by machine hazards. If any label comes off or becomes unreadable, the owner of this machine **MUST** replace it in the original location before resuming operations. For replacements, contact (800) 523-4777 or www.grizzly.com.

