



# Parts List

REF	PART #	DESCRIPTION
1	P0644001	CONVEYOR TABLE
2	P0644002	CONVEYOR ROLLER BRACKET LR
3	PS16M	PHLP HD SCR M8-1.25 X 16
4	P6003	BALL BEARING 6003ZZ
5	P0644005	CONVEYOR ROLLER REAR
6	PK12M	KEY 5 X 5 X 30
7	P0644007	CONVEYOR ROLLER BRACKET RR
8	P0644008	CONNECTING BUSHING
9	PSS03	SET SCREW 1/4-20 X 3/8
10	P0644010	CONVEYOR MOTOR BRACKET
11	PB19	HEX BOLT 1/4-20 X 1/2
12	PW06	FLAT WASHER 1/4
13	P0644013	CONVEYOR MOTOR
13-1	P0644013-1	CONVEYOR MOTOR WORM
14	PSB26M	CAP SCREW M6-1 X 12
15	P0644015	CONVEYOR ROLLER GUARD R.
16	PSB02	CAP SCREW 10-24 X 3/8
17	P0644017	CONVEYOR ROLLER BRACKET F
18	P0644018	CONVEYOR ROLLER F
19	P0644019	CONVEYOR ROLLER SHAFT F
20	P6003	BALL BEARING 6003ZZ
21	PR18M	EXT RETAINING RING 17MM
22	PN05	HEX NUT 1/4-20
23	PB10	HEX BOLT 1/4-20 X 2
24	P0644024	CONVEYOR BELT
25	P0644025	SET COLLAR
26	PSS39	SET SCREW 1/4-20 X 1 1/4
27	PLN02	LOCK NUT 1/4-20
28	P0644028	CONVEYOR ROLLER GUARD F.
29	P0644029	SUPPORT LEG
30	P0644030	SUPPORT FRAME
31	PSB31M	CAP SCREW M8-1.25 X 25
32	PSB61M	CAP SCREW M10-1.5 X 20
33	P0644033	ELEVATION SCALE
34	P0644034	WORM ROD BRACKET
35	PSB06	CAP SCREW 1/4-20 X 1
36	P0644036	WORM ROD
37	P51102	THRUST BEARING 51102
38	P0644038	COMPRESSION SPRING
39	P0644039	SET NUT
40	P0644040	HAND WHEEL
41	P0644041	HANDLE
42	P51105	THRUST BEARING 51105
43	P0644043	ELEVATION LEADSCREW
44	P0644044	WORM WHEEL
45	P0644045	GEAR GUARD
46	PSB04	CAP SCREW 1/4-20 X 1/2
47	P0644047	PLUG
48	P0644048	BEARING NUT
49	P0644049	ELEVATION LEADSCREW BRACKET

REF	PART #	DESCRIPTION
50	PW04M	FLAT WASHER 10MM
51	PLW06M	LOCK WASHER 10MM
52	PLN05M	LOCK NUT M10-1.5
53	PSB11	CAP SCREW 5/16-18 X 1-1/4
54	P0644054	BELT ROLLER MOUNT LOWER
55	P0644055	POINTER
56	PSB03	CAP SCREW 5/16-18 X 1
57	P0644057	GIB
58	PSS19	SET SCREW 5/16-18 X 1 1/4
59	PN02	HEX NUT 5/16-18
60	P0644060	LOCK HANDLE
61	P0644061	SANDING DRUM
62	P6205	BALL BEARING 6205ZZ
63	P0644063	BEARING HOUSING
64	P0644064	AUXILIARY SUPPORT PLATE
65	PB20M	HEX BOLT M8-1.25 X 35
66	P0644066	SPACER
67	PSB30	CAP SCREW 5/16-18 X 1/2
68	P0644068	MOTOR MOUNT
69	PB03	HEX BOLT 5/16-18 X 1
70	PB12	HEX BOLT 5/16-18 X 1-1/4
71	PLW01	LOCK WASHER 5/16
72	PW07	FLAT WASHER 5/16
73	P0644073	SWITCH BOX SUPPORT BRACKET
74	P0644074	COUPLER
74-1	P0644074-1	COUPLER PAD
75	PSS02	SET SCREW 5/16-18 X 3/8
76	P0644076	MOTOR 220V 1-PH
76-1	P0644076-1	MOTOR FAN COVER
76-2	P0644076-2	MOTOR FAN
76-3	P0644076-3	CAPACITOR COVER
76-4	P0644076-4	R CAPACITOR 50M 250V 1-3/8 X 3-1/8
76-5	P0644076-5	S CAPACITOR 400M 125V 1-3/8 X 3
76-6	P0644076-6	MOTOR JUNCTION BOX
77	P0644077	BRAKE UNIT
78	P0644078	STRAIN RELIEF
79	P0644079	SWITCH BOX
80	P0644080	SWITCH PLATE
81	P0644081	POWER SWITCH
82	P0644082	CONVEYOR SPEED CONTROL
83	P0644083	EMERGENCY STOP BUTTON
84	P0644084	SANDING MOTOR BUTTON
85	P0644085	POWER INDICATION LAMP
86	P0644086	AMPERAGE METER
87	PHTEK6	TAP SCREW #10 X 3/8
88	P0644088	POWER CORD
89	P0644089	STRAIN RELIEF
90	P0644090	DC MOTOR SPEED CONTROLLER
91	P0644091	SWITCH BOX UPPER COVER
92	P0644092	AIR FILTER



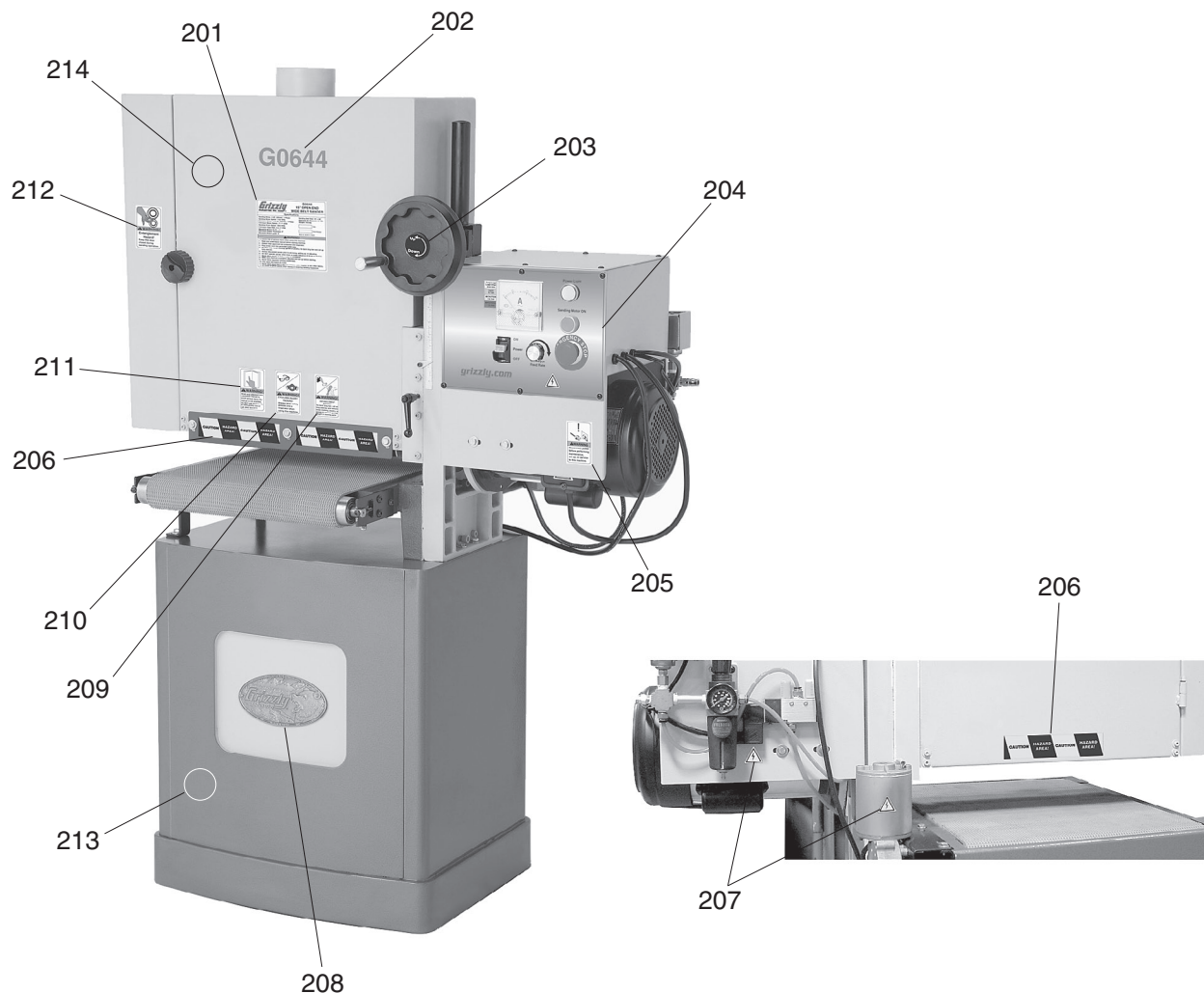
# Parts List

REF PART #	DESCRIPTION
93	P0644093 TUBE CONNECTOR
94	P0644094 CONNECTING TUBE
95	P0644095 4-WAY VALVE
96	P0644096 AIR INLET 1/4 NPT
97	P0644097 CONNECTOR
98	P0644098 AIR PRESSURE SAFETY SWITCH
99	P0644099 AIR PRESSURE BRAKE SOLENOID
100	PS01 PHLP HD SCR 10-24 x 1-1/2
101	PLN04 LOCK NUT 10-24
102	P0644102 AIR PLUG
103	P0644103 SILENCER
104	P0644104 SUPPORT ARM
105	PW01M FLAT WASHER 8MM
106	P0644106 ELEVATION ROD GUIDE
107	PLW02 LOCK WASHER 1/4
108	PSB01 CAP SCREW 1/4-20 X 5/8
109	P0644109 COMPRESSION SPRING
110	P51106 THRUST BEARING 51106
111	P0644111 LOCKING COLLAR
112	P0644112 SANDING BELT ELEVATION ROD
113	P0644113 CRANK LEFT
114	P0644114 CRANK RIGHT
115	PSS50 SET SCREW 1/4-20 X 2
116	PW06 FLAT WASHER 1/4
117	P0644117 VALVE
118	P0644118 COMPRESSION SPRING
119	PSB21M CAP SCREW M4-.7 X 30
120	P0644120 PIPE JOINT
121	P0644121 ROLLER SUPPORT FRAME UPPER
122	P0644122 ROLLER BRACKET UPPER
123	P0644123 SANDING ROLLER UPPER
124	P0644124 SANDING ROLLER SHAFT UPPER
125	P0644125 OSCILLATION SENSOR PLATE
126	P0644126 CYLINDER SUPPORT BRACKET

REF PART #	DESCRIPTION
127	P0644127 CYLINDER SUPPORT PLATE
128	P0644128 SPECIAL SCREW
129	P0644129 BUFFER PAD
130	P608 BALL BEARING 608ZZ
131	PW01M FLAT WASHER 8MM
132	P0644132 CYLINDER BRACKET
133	PS06M PHLP HD SCR M5-.8 X 20
134	P0644134 GEAR WASHER 5MM
135	P0644135 CYLINDER
136	P0644136 PIPE JOINT
137	P0644137 SANDING BELT
138	P0644138 LEVER
139	P0644139 HANDLE
140	P0644140 SANDING BELT GUARD
141	P0644141 DEPTH OF CUT SAFETY PLATE
142	P0644142 PRESSURE ROLLER
143	P0644143 PRESSURE ROLLER BUSHING
144	P0644144 PRESSURE ROLLER BRACKET R
145	P0644145 PRESSURE ROLLER BRACKET L
146	P0644146 PRESSURE ROLLER SUPPORT BRACKET L
147	P0644147 PRESSURE ROLLER SUPPORT BRACKET R.
148	PS76M PHLP HD SCR M8-1.25 X 12
149	P0644149 COIL SPRING
150	P0644150 SIDE COVER LOCK KNOB
151	P0644151 SIDE COVER
153	PB07M HEX BOLT M8-1.25 X 25
154	P0644154 CABINET
155	P0644155 FRONT FACE PLATE
156	P0644156 DOOR
157	P0644157 DOOR LOCK
158	P0644158 CONTACTOR NHD C-090 220V
159	P0644159 OL RELAY NHD NTH NTH-17 14-17A
160	PN01M HEX NUT M6-1



# Label Placement & List



REF	PART #	DESCRIPTION
201	P0644201	MACHINE ID LABEL
202	P0644202	MODEL NUMBER LABEL
203	P0644203	ELEVATION HANDWHEEL LABEL
204	P0644204	CONTROL PANEL LABEL
205	P0644205	DISCONNECT WARNING LABEL VERT
206	P0644206	HAZARD AREA LABEL
207	PLABEL-14	ELECTRICITY LABEL

REF	PART #	DESCRIPTION
208	P0644208	GRIZZLY NAMEPLATE 9-1/4" X 4-1/2"
209	P0644209	ENTANGLEMENT HAZARD LABEL VERT
210	P0644210	EYE/LUNG HAZARD LABEL VERT
211	P0644211	READ MANUAL LABEL VERT
212	P0644212	HAND INJURY LABEL VERT
213	P0644213	GRIZZLY GREEN TOUCH UP PAINT
214	P0644214	GRIZZLY PUTTY TOUCH UP PAINT

## WARNING

Safety labels warn about machine hazards and ways to prevent injury. The owner of this machine **MUST** maintain the original location and readability of the labels on the machine. If any label is removed or becomes unreadable, **REPLACE** that label before using the machine again. Contact Grizzly at (800) 523-4777 or [www.grizzly.com](http://www.grizzly.com) to order new labels.

