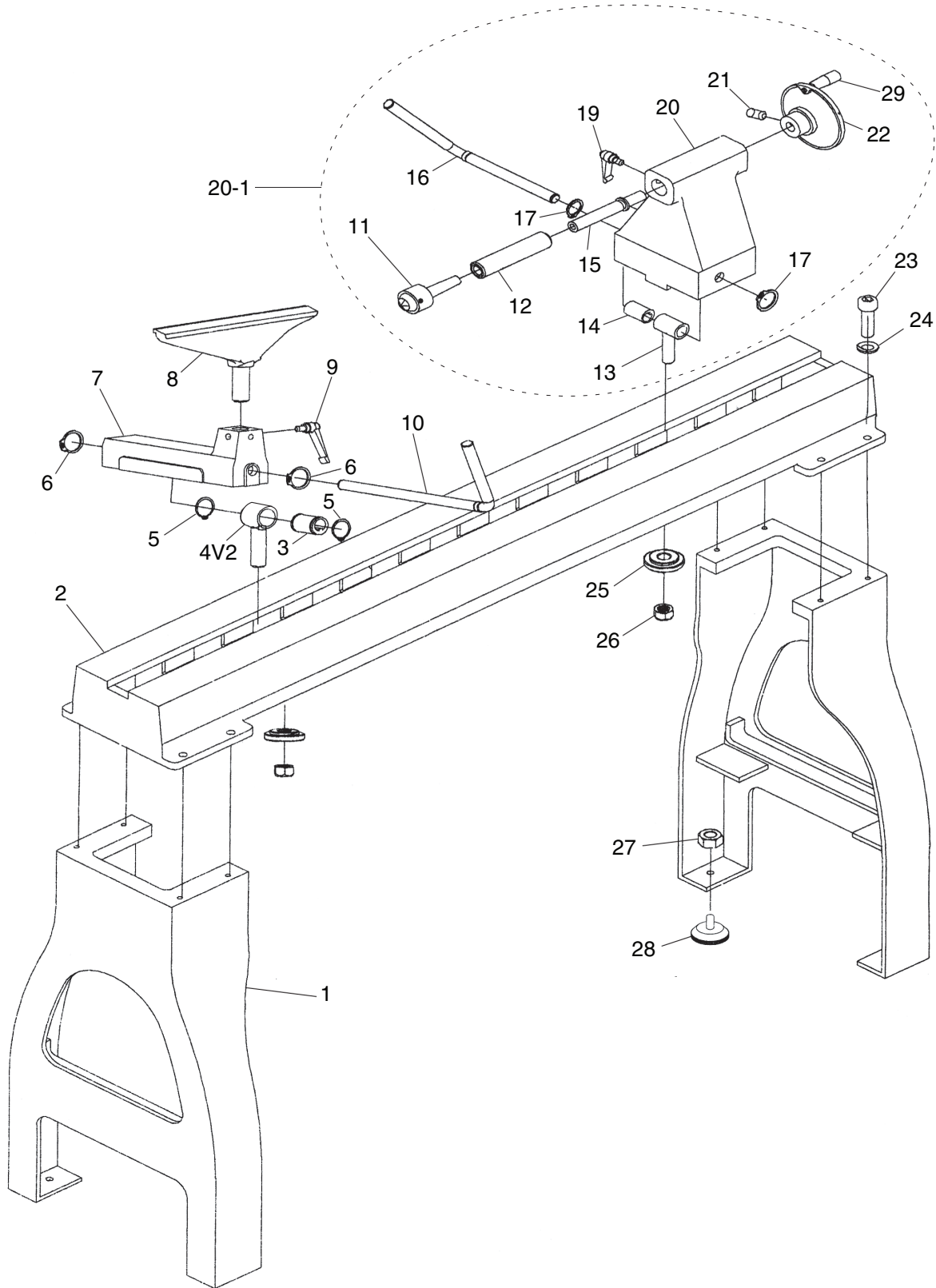


SECTION 9: PARTS

Stand Breakdown



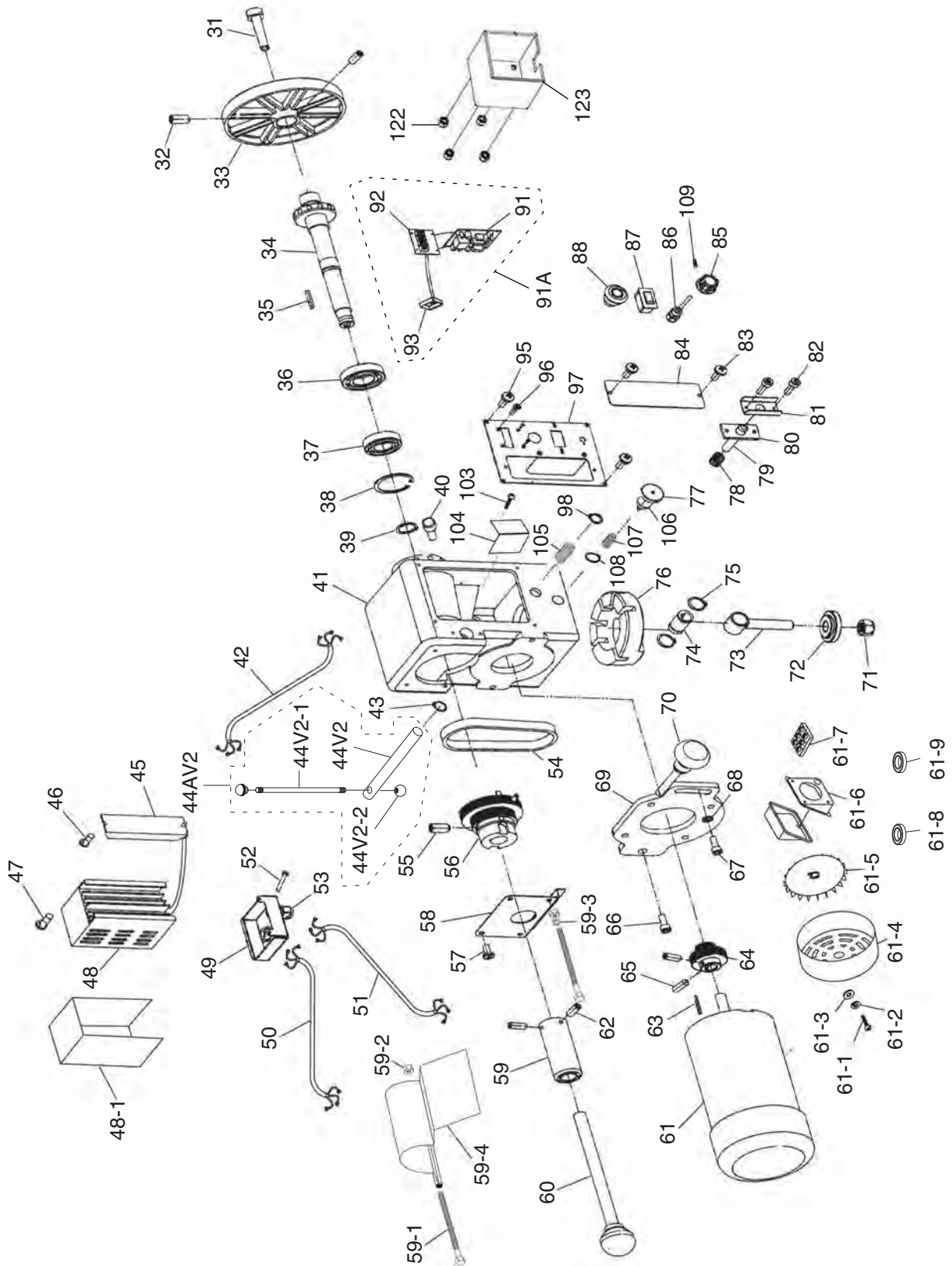
Stand Parts List

REF	PART #	DESCRIPTION
1	P0632001	SUPPORTING LEG
2	P0632002	BED
3	P0632003	BUSHING
4V2	P0632004V2	TOOL REST BASE LOCK BRACKET V2.02.08
5	P0632005	EXT RETAINING RING 25MM (THIN PROFILE)
6	PR07M	EXT RETAINING RING 18MM
7	P0632007	TOOL REST BASE
8	P0632008	TOOL REST
9	P0632009	TOOL REST LOCK LEVER
10	P0632010	TOOL REST BASE LOCK HANDLE
11	P0632011	LIVE CENTER
12	P0632012	QUILL
13	P0632013	TAILSTOCK LOCK BRACKET
14	P0632014	BUSHING
15	P0632015	LEADSCREW

REF	PART #	DESCRIPTION
16	P0632016	TAILSTOCK LOCK HANDLE
17	PR07M	EXT RETAINING RING 18MM
19	P0632019	QUILL LOCK LEVER
20	P0632020	TAILSTOCK
20-1	P0632020-1	COMPLETE TAILSTOCK ASSY
21	PSS04M	SET SCREW M6-1 X 12
22	P0632022	HANDWHEEL
23	PCAP64M	CAP SCREW M10-1.5 X 25
24	PLW06M	LOCK WASHER 10MM
25	P0632025	CLAMP
26	PN29M	HEX NUT M18-2.5
27	PN02M	HEX NUT M10-1.5
28	P0632028	MACHINE FOOT
29	P0632029	HANDWHEEL HANDLE



Headstock Breakdown



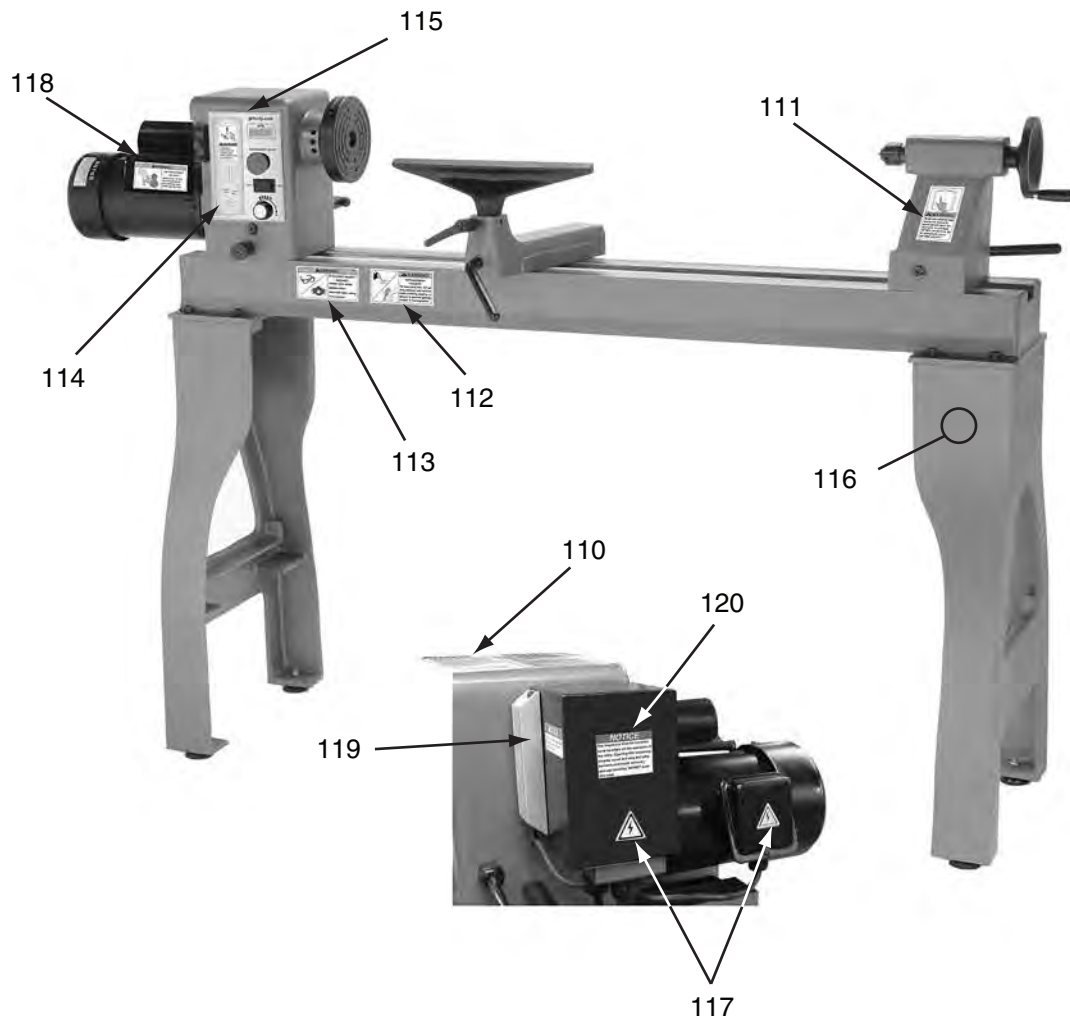
Headstock Parts List

REF	PART #	DESCRIPTION
31	P0632031	SPUR CENTER
32	P0632032	SET SCREW M6-1 X 16
33	P0632033	FACEPLATE
34	P0632034	SPINDLE
35	P0632035	KEY 5 X 5 X 30
36	P0632036	BALL BEARING 6207 2RS
37	P0632037	BALL BEARING 6206ZZ
38	P0632038	INT RETAINING RING 62MM
39	P0632039	EXT RETAINING RING 30MM
40	P0632040	INDEX PIN
41	P0632041	HEADSTOCK
42	P0632042	HEADSTOCK WIRING HARNESS
43	P0632043	EXT RETAINING RING 18MM
44	P0632044	HEADSTOCK LOCK HANDLE V1
44AV2	P0632044AV2	HEADSTOCK LOCK HANDLE ASSY V2.01.09
44V2	P0632044V2	STRAIGHT LOCK HANDLE ROD V2.01.09
44V2-1	P0632044V2-1	THREADED HANDLE V2.01.09
44V2-2	P0632044V2-2	KNOB 2PC V2.01.09
45	P0632045	BRAKING RESISTOR
46	P0632046	TAP SCREW M5 X 15
47	P0632047	CAP SCREW M5-.8 X 12
48	P0632048	FREQUENCY INVERTER
48-1	P0632048-1	FREQ INV SAFETY COVER
49	P0632049	WIRING BRACKET
50	P0632050	POWER CORD
51	P0632051	MOTOR WIRING HARNESS
52	P0632052	PHLP HD SCR M3-.5 X 10
53	P0632053	STRAIN RELIEF
54	P0632054	RIBBED BELT 180J6
55	P0632055	SET SCREW M8-1.25 X 15
56	P0632056	SPINDLE PULLEY
57	P0632057	PHLP HD SCREW M5-0.8 X 12
58	P0632058	SIDE BELT ACCESS PANEL
59	P0632059	SPINDLE HANDLE
59-1	P0632059-1	HEX BOLT M8-1.25 X 140
59-2	P0632059-2	HEX NUT M8-1.25
59-3	P0632059-3	RUBBER WASHER 8MM
59-4	P0632059-4	SPINDLE HANDLE SAFETY COVER
60	P0632060	KNOCKOUT TOOL
61	P0632061	MOTOR 1-1/2HP 220V 3PH
61-1	P0632061-1	PHLP HD SCR M3-.5 X 5
61-2	P0632061-2	LOCK WASHER 3MM
61-3	P0632061-3	FLAT WASHER 3MM
61-4	P0632061-4	FAN COVER
61-5	P0632061-5	FAN
61-6	P0632061-6	MOTOR JUNCTION BOX
61-7	P0632061-7	JUNCTION BLOCK

REF	PART #	DESCRIPTION
61-8	P0632061-8	FRONT MOTOR BEARING
61-9	P0632061-9	REAR MOTOR BEARING
62	P0632062	SET SCREW M6-1 X 16
63	P0632063	KEY 5 X 5 X 45
64	P0632064	MOTOR PULLEY
65	P0632065	SET SCREW M6-1 X 16
66	P0632066	CAP SCREW M10-1.5 X 25
67	P0632067	CAP SCREW M10-1.5 X 25
68	P0632068	FLAT WASHER 10MM
69	P0632069	MOTOR MOUNTING PLATE
70	P0632070	FEMALE KNOB M8-1.25
71	P0632071	HEX NUT M18-2.5
72	P0632072	CLAMP
73	P0632073	HEADSTOCK LOCK BRACKET
74	P0632074	BUSHING
75	P0632075	EXT RETAINING RING 26MM
76	P0632076	ROTATION BRACKET
77	P0632077	ROTATION LOCK PIN
78	P0632078	COMPRESSION SPRING
79	P0632079	SPINDLE LOCK PIN
80	P0632080	PLATE
81	P0632081	BRACKET
82	P0632082	CAP SCREW M5-.8 X 15
83	P0632083	PHLP HD SCR M5-.8 X 12
84	P0632084	FRONT BELT ACCESS PANEL
85	P0632085	VARIABLE SPEED KNOB
86	P0632086	VARIABLE SPEED CONTROL
87	P0632087	FWD/REV SWITCH
88	P0632088	EMERGENCY STOP SWITCH
91A	P0632091A	RPM READOUT ASSEMBLY
91	P0632091	RPM READOUT CIRCUIT BOARD
92	P0632092	RPM READOUT LED
93	P0632093	RPM SENSOR
95	P0632095	PHLP HD SCR M3-.5 X 12
96	P0632096	FLAT HD SCR M3-.5 X 20
97	P0632097	CONTROL PLATE
98	P0632098	EXT RETAINING RING 18MM
103	P0632103	PHLP HD SCR M5-.8 X 10
104	P0632104	DIVIDING PLATE
105	P0632105	COMPRESSION SPRING
106	P0632106	ROTATION LOCK PIN NUT
107	P0632107	COMPRESSION SPRING
108	P0632108	EXT RETAINING RING 8MM
109	P0632109	SET SCREW M5-.8 X 8
122	P0632122	HEX NUT M4-.7
123	P0632123	RPM READOUT BOX



Label Placement



REF	PART #	DESCRIPTION
110	P0632110	MACHINE ID LABEL
111	PLABEL-12A	READ MANUAL 2W X 3.3H V2.07.05
112	PLABEL-55B	ENTANGLEMENT HAZARD 3.8 X 2H
113	PLABEL-57B	GLASSES/RESPIRATOR 3.8 X 2H
114	P0632114	BELT ACCESS LABEL
115	P0632115	CONTROL PANEL LABEL

REF	PART #	DESCRIPTION
116	PPAINT-1	GRIZZLY GREEN TOUCH-UP PAINT
117	PLABEL-14	ELECTRICITY LABEL
118	P0632118	SPINDLE ENTANGLEMENT LABEL
119	P0632119	SMALL INVERTER NOTICE LABEL
120	P0632120	LARGE INVERTER NOTICE LABEL

WARNING

Safety labels warn about machine hazards and ways to prevent injury. The owner of this machine **MUST** maintain the original location and readability of the labels on the machine. If any label is removed or becomes unreadable, **REPLACE** that label before using the machine again. Contact Grizzly at (800) 523-4777 or www.grizzly.com to order new labels.

