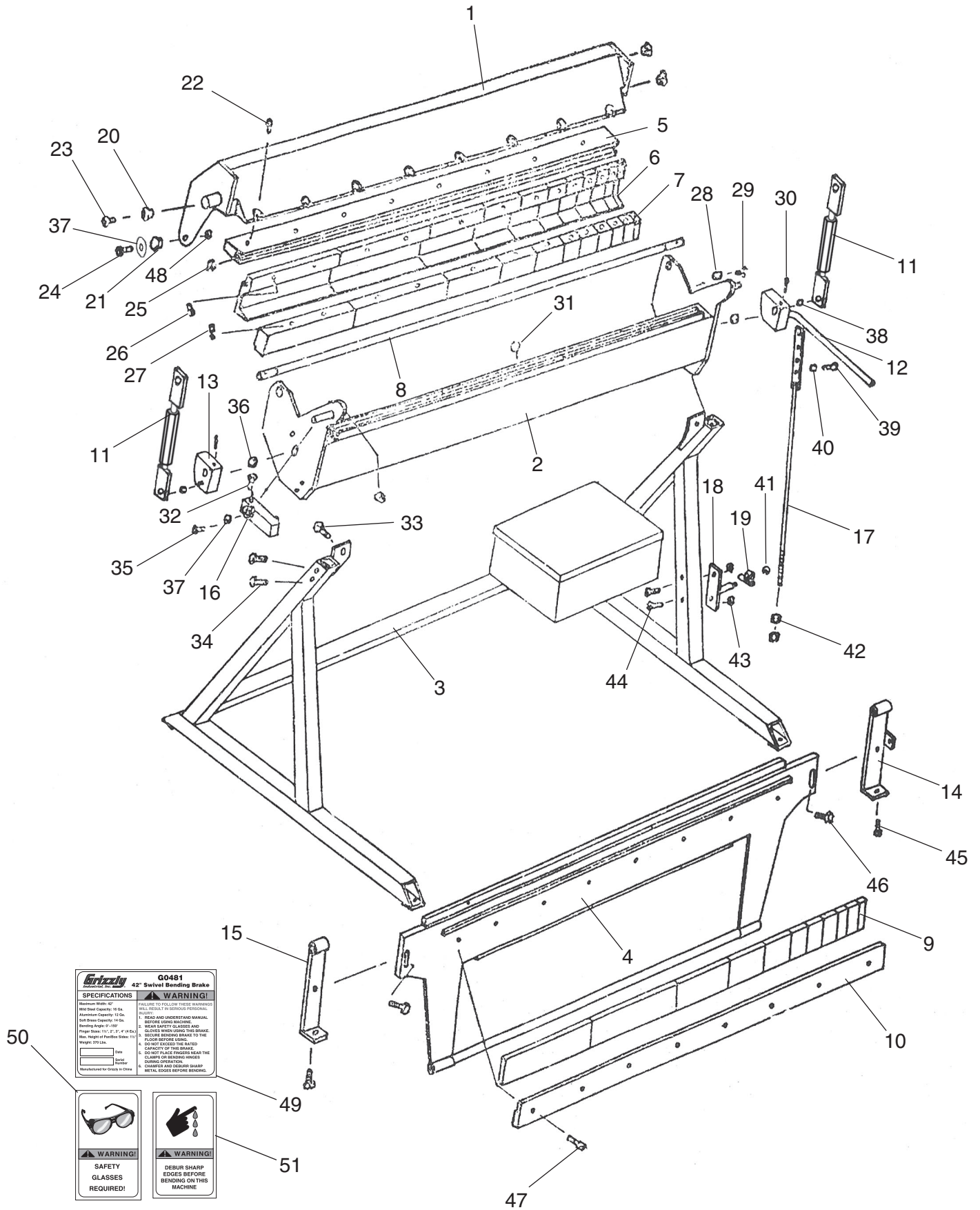


Parts Breakdown



G0481 42" Swivel Bending Brake	
SPECIFICATIONS Maximum Width: 42" Max Steel Capacity: 15 Ga. Max Aluminum Capacity: 14 Ga. Swivel Angle: 90°-180° Proper Gauge: 10", 12", 14", 16" Max. Height of Flange Steel: 1 1/2" Weight: 270 lbs.	WARNING! FAILURE TO FOLLOW THESE WARNINGS WILL RESULT IN SERIOUS PERSONAL INJURY. 1. READ AND UNDERSTAND MANUAL BEFORE LEAVING MACHINE. 2. WEAR SAFETY GLASSES AND GLOVES WHEN USING THIS BRAKE. 3. BEFORE BENDING BEANS TO THE FLOOR BEFORE USING. 4. DO NOT TOUCH THE RATED CAPACITY OF THE BRAKE. 5. DO NOT PLACE FINGERS NEAR THE CLAMPS OR BENDING HEADS DURING OPERATION. 6. CLAMPS AND BENDING HEADS METAL EDGES BEFORE BENDING.

WARNING!
SAFETY GLASSES REQUIRED!

WARNING!
DEBUR SHARP EDGES BEFORE BENDING ON THIS MACHINE



Parts List

REF	PART #	DESCRIPTION
1	P0481001	CLAMPING LEAF FRAME
2	P0481002	CROSSBEAM
3	P0481003	STAND
4	P0481004	BENDING LEAF
5	P0481005	T-SLOT PLATE
6	P0481006	CLAMPING LEAF FINGER SET
6-1	P0481006-1	25MM FINGER
6-2	P0481006-2	30MM FINGER
6-3	P0481006-3	35MM FINGER
6-4	P0481006-4	40MM FINGER
6-5	P0481006-5	45MM FINGER
6-6	P0481006-6	50MM FINGER
6-7	P0481006-7	75MM FINGER
6-8	P0481006-8	100MM FINGER
6-9	P0481006-9	150MM FINGER
6-10	P0481006-10	250MM FINGER
7	P0481007	CLAMPING BLOCK SET
7-1	P0481007-1	25MM CLAMPING BLOCK
7-2	P0481007-2	30MM CLAMPING BLOCK
7-3	P0481007-3	35MM CLAMPING BLOCK
7-4	P0481007-4	40MM CLAMPING BLOCK
7-5	P0481007-5	45MM CLAMPING BLOCK
7-6	P0481007-6	50MM CLAMPING BLOCK
7-7	P0481007-7	75MM CLAMPING BLOCK
7-8	P0481007-8	100MM CLAMPING BLOCK
7-9	P0481007-9	150MM CLAMPING BLOCK
7-10	P0481007-10	250MM CLAMPING BLOCK
8	P0481008	TRANSMISSION BAR
9	P0481009	BENDING LEAF FINGER SET
9-1	P0481009-1	25MM BENDING LEAF FINGER
9-2	P0481009-2	30MM BENDING LEAF FINGER
9-3	P0481009-3	35MM BENDING LEAF FINGER
9-4	P0481009-4	40MM BENDING LEAF FINGER
9-5	P0481009-5	45MM BENDING LEAF FINGER
9-6	P0481009-6	50MM BENDING LEAF FINGER
9-7	P0481009-7	75MM BENDING LEAF FINGER
9-8	P0481009-8	100MM BENDING LEAF FINGER
9-9	P0481009-9	150MM BENDING LEAF FINGER
9-10	P0481009-10	250MM BENDING LEAF FINGER
10	P0481010	CLAMP PLATE
11	P0481011	TURNBUCKLE

REF	PART #	DESCRIPTION
12	P0481012	CLAMPING LEAF HANDLE
13	P0481013	CLAMPING LEAF ADJ BLOCK
14	P0481014	RT BENDING LEAF ADJ PLATE
15	P0481015	LT BENDING LEAF ADJ PLATE
16	P0481016	QUICK STOP
17	P0481017	STOP ROD
18	P0481018	STOP COLLAR BRACKET
19	P0481019	STOP COLLAR
20	P0481020	FENDER WASHER 8MM
21	P0481021	ECCENTRIC SLEEVE
22	PSB31M	CAP SCREW M8-1.25 X 25
23	PB87M	HEX BOLT M8-1.25 X 15
24	PB38M	HEX BOLT M12-1.75 X 60
25	P0481025	T-NUT M8-1.25
26	PSB11M	CAP SCREW M8-1.25 X 16
27	PSB60M	CAP SCREW M8-1.25 X 55
28	P0481028	ECCENTRIC SHAFT
29	PB27M	HEX BOLT M12-1.75 X 30
30	P0481030	ROUND PIN 8 X 50
31	P0481031	BUSHING
32	PB27M	HEX BOLT M12-1.75 X 30
33	PB49M	HEX BOLT M12-1.75 X 20
34	PB27M	HEX BOLT M12-1.75 X 30
35	PB02M	HEX BOLT M6-1 X 12
36	P0481036	BUSHING
37	PW06M	FLAT WASHER 12MM
38	P0481038	BUSHING
39	PB87M	HEX BOLT M8-1.25 X 15
40	P0481040	BUSHING
41	PEC03M	E-CLIP 10MM
42	P0481042	STOP NUT M10-1.5
43	PN02M	HEX NUT M10-1.5
44	PB34M	HEX BOLT M10-1.5 X 60
45	PB33M	HEX BOLT M12-1.75 X 50
46	PB27M	HEX BOLT M12-1.75 X 30
47	PSB31M	CAP SCREW M8-1.25 X 25
48	PN09M	HEX NUT M12-1.75
49	P0481049	G0481 ID LABEL
50	PLABEL11	SAFETY GLASSES 2" X 3 5/16"
51	P0481051	DEBURR LABEL

WARNING

Safety labels warn about machine hazards and ways to prevent injury. The owner of this machine **MUST** maintain the original location and readability of the labels on the machine. If any label is removed or becomes unreadable, **REPLACE** that label before using the machine again. Contact Grizzly at (800) 523-4777 or www.grizzly.com to order new labels.

