



MODEL H2687 LARGE PROTRACTOR INSTRUCTION SHEET

Introduction

This simple, yet effective protractor is made from ground stainless steel and features easy-to-read engraved lettering, an 8" beam and an 11½" blade. The scale reads from 0° to 180°.

Inventory (Figure 1)

- A. 8" Beam..... 1
- B. 11½" Blade..... 1
- C. Knob 1

Operation Instructions

1. Loosen the black knob that holds the blade to the beam.
2. Position the straight edge of the beam firmly to the outside edge of the material to be measured as shown in **Figure 2**.
3. Rotate the blade so that the arrow end points to the degree desired.
4. Tighten the knob and draw or scribe the line in the workpiece.

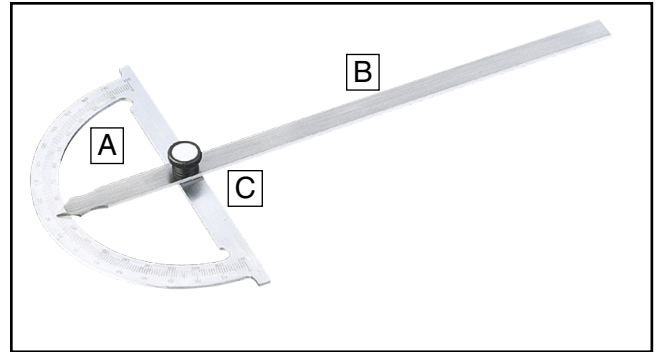


Figure 1. Model H2687.

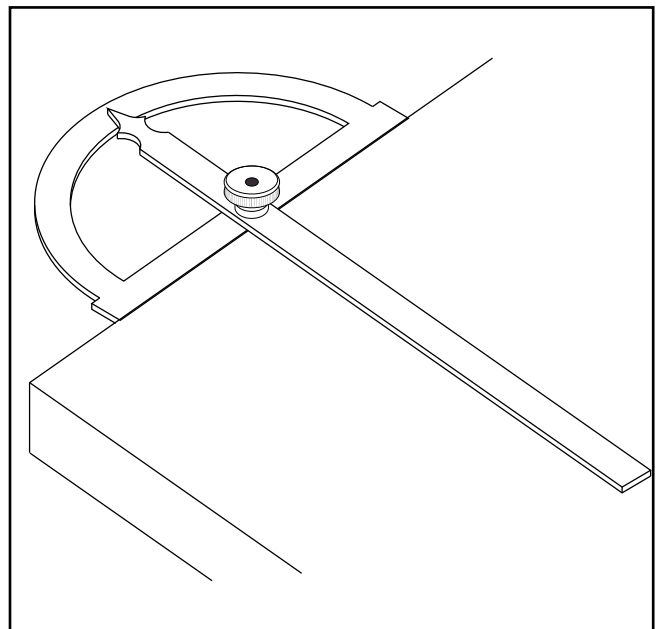


Figure 2. Protractor in use.

If you need help with your new protractor, call our Tech Support at: (570) 546-9663.

COPYRIGHT © JULY, 2006 BY GRIZZLY INDUSTRIAL, INC.

WARNING: NO PORTION OF THIS MANUAL MAY BE REPRODUCED IN ANY SHAPE OR FORM WITHOUT THE WRITTEN APPROVAL OF GRIZZLY INDUSTRIAL, INC.

#TS8332 PRINTED IN CHINA