



PLATFORM TRUCK

MODEL G8156

INSTRUCTION SHEET

Introduction

The Model G8156 Platform Truck (**Figure 1**) features an 800 lb. weight capacity for moving bulky or heavy items around the shop, and pneumatic wheels and casters for a smooth ride.

Inventory

A.	Platform	1
B.	Swivel Casters.....	2
C.	Fixed Casters	2
D.	Handle	1
E.	Hardware Bag	1
	—Fender Washer 8mm.....	2
	—Flat Washer 10mm	16
	—Lock Washer 10mm.....	16
	—Hex Bolt M8-1.25 x 30.....	2
	—Hex Bolt M10-1.5 x 25.....	16

Assembly

1. Install the 2 swivel casters onto the bottom of the platform on the handle end with the M10-1.5 x 25 hex bolts, 10mm lock washers, and 10mm flat washers, as shown in **Figure 2**. Install the fixed casters on the other end with the same hardware.
2. Install the handle into the holes at the end of the platform, as shown in **Figure 3**.
3. Secure the handle to the platform (**Figure 3**) with the two M8-1.25 x 30 hex bolts and two 8mm fender washers.

If you need additional help with this assembly, call our service department at: (570) 546-9663.



Figure 1. Model G8156.

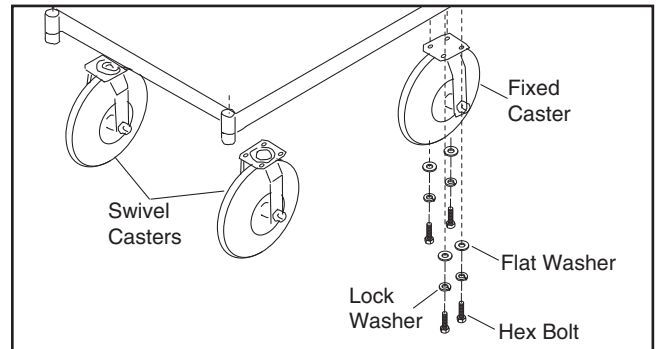


Figure 2. Installing casters.

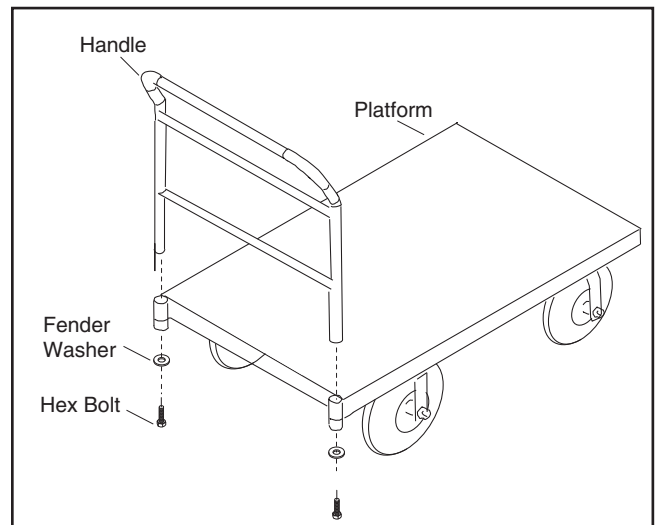
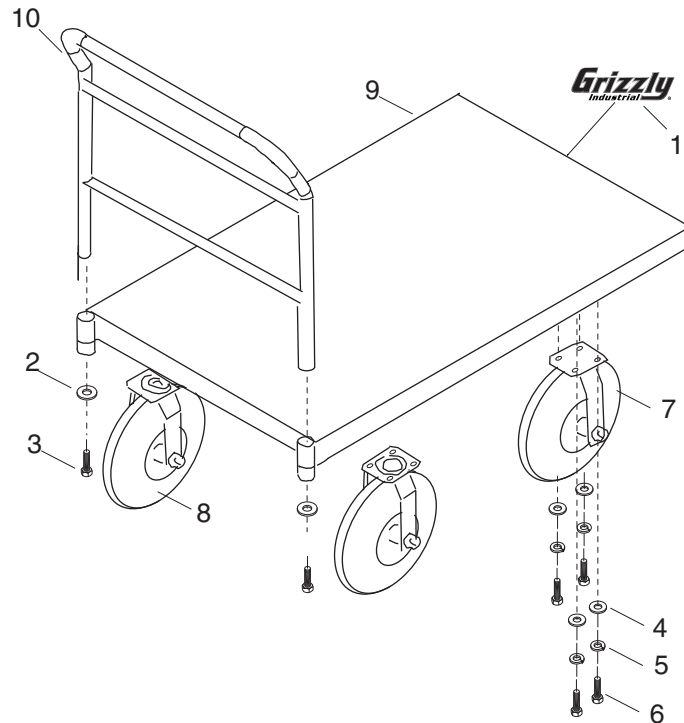


Figure 3. Installing and securing handle to platform.

CAUTION

This cart is not intended to be used by children!

G8156 Parts Breakdown and List



	PART #	DESCRIPTION
1	P8156001	GRIZZLY LOGO STICKER
2	P8156002	FENDER WASHER 8MM
3	PB26M	HEX BOLT M8-1.25 X 30
4	PW04M	FLAT WASHER 10MM
5	PLW06M	LOCK WASHER 10MM
6	PB32M	HEX BOLT M10-1.5 X 25
7	P8156007	FIXED CASTER
8	P8156008	SWIVELCASTER
9	P8156009	PLATFORM
10	P8156010	HANDLE

COPYRIGHT © FEBRUARY, 2005 BY GRIZZLY INDUSTRIAL, INC. REVISED JUNE 2009 (CR)
**WARNING: NO PORTION OF THIS MANUAL MAY BE REPRODUCED IN ANY SHAPE
OR FORM WITHOUT THE WRITTEN APPROVAL OF GRIZZLY INDUSTRIAL, INC.**
#BL6964 PRINTED IN CHINA