



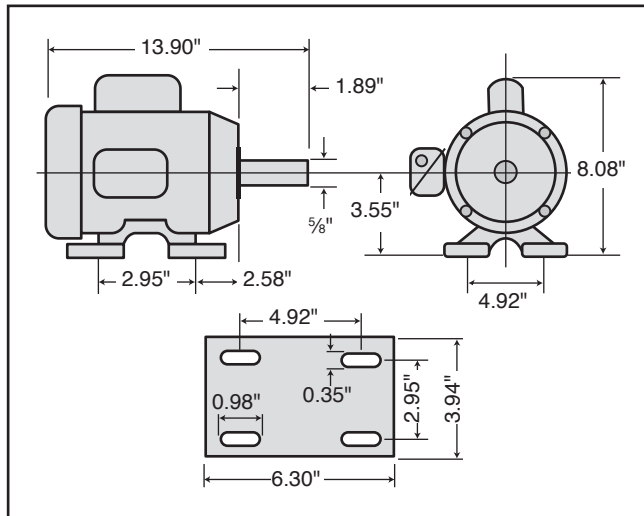
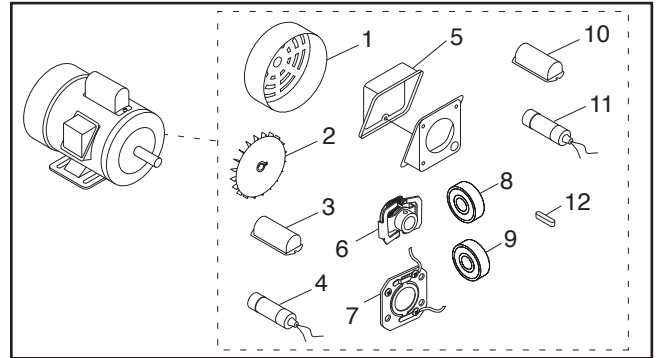
MODEL G2536 2 HP ELECTRIC MOTOR INSTRUCTIONS

For questions or help with this product contact Tech Support at (570) 546-9663 or techsupport@grizzly.com

Model G2536 Specifications

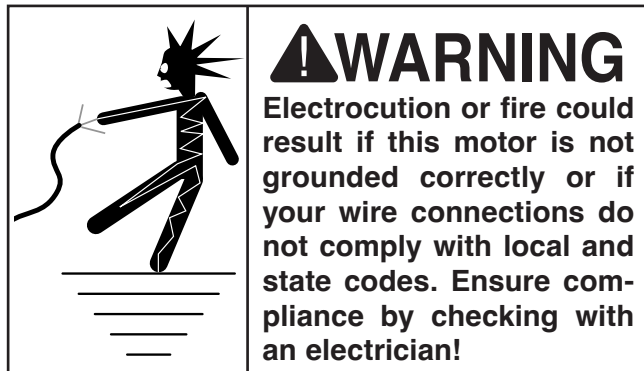
Power 2 HP
 Cycle.....60 Hz
 Voltage.....110V/220V
 Rewired 110V
 Amps18.6A/9.3A
 Speed 3450 RPM
 Phase Single-Phase
 Class.....E

Replaceable Parts



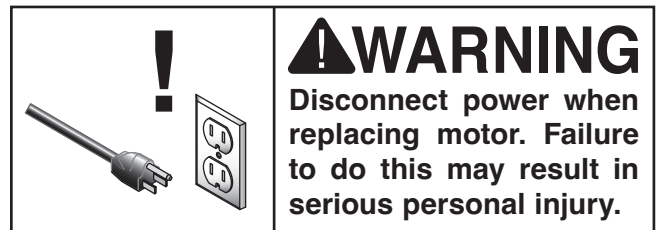
REF PART # DESCRIPTION

REF	PART #	DESCRIPTION
1	P2536001	MOTOR FAN COVER
2	P2536002	MOTOR FAN
3	P2536003	S CAPACITOR COVER
4	P2536004	S CAPACITOR 400M 125V 1-3/4 X 3-3/8
5	P2536005	JUNCTION BOX
6	P2536006	CENTRIFUGAL SWITCH 1/2-3450
7	P2536007	CONTACT PLATE
8	P2536008	BALL BEARING 6202ZZ
9	P2536009	BALL BEARING 6203ZZ
10	P2536010	R CAPACITOR COVER
11	P2536011	R CAPACITOR 40M 250V 1-3/8 X 2-3/8
12	P2536012	KEY 3/16 X 3/16 X 1-1/4



Making Wire Connections

If you are unsure how to attach wires to terminals, DO NOT continue. Contact an electrician for assistance. Connecting wires improperly may cause electrocution, fire, or a short.

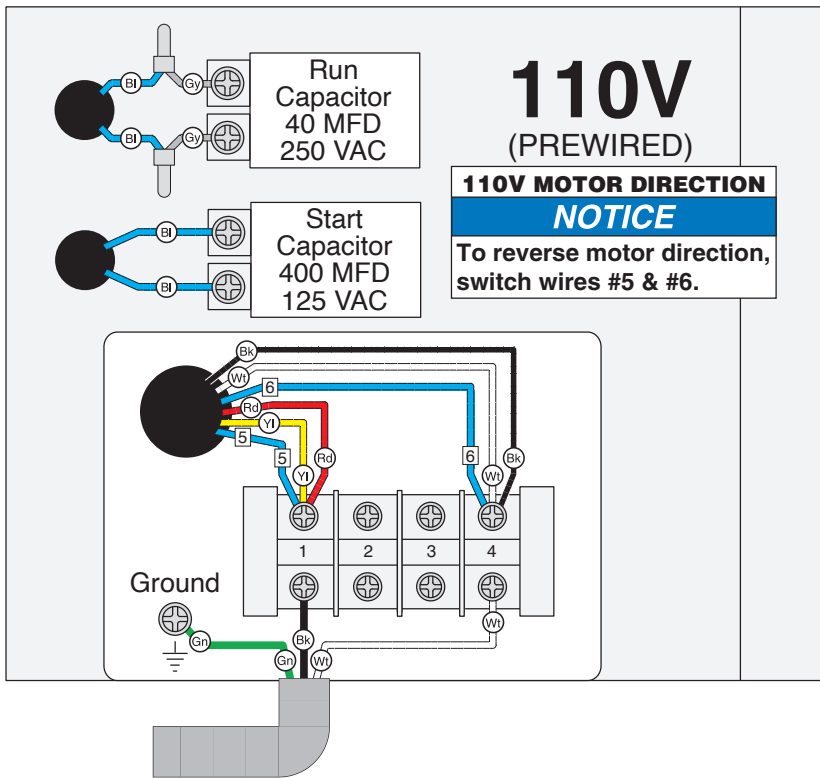


COPYRIGHT © JUNE, 2012 BY GRIZZLY INDUSTRIAL, INC., REVISED JUNE, 2024 (LW)
 NO PORTION OF THIS INSTRUCTION SHEET MAY BE REPRODUCED IN ANY SHAPE
 OR FORM WITHOUT THE WRITTEN APPROVAL OF GRIZZLY INDUSTRIAL, INC.
 (FOR MODELS MFD. SINCE 08/24) #KN15119 PRINTED IN TAIWAN

V2.06.24

Keep for Future Reference

G2536 Wiring Diagram



COLOR KEY

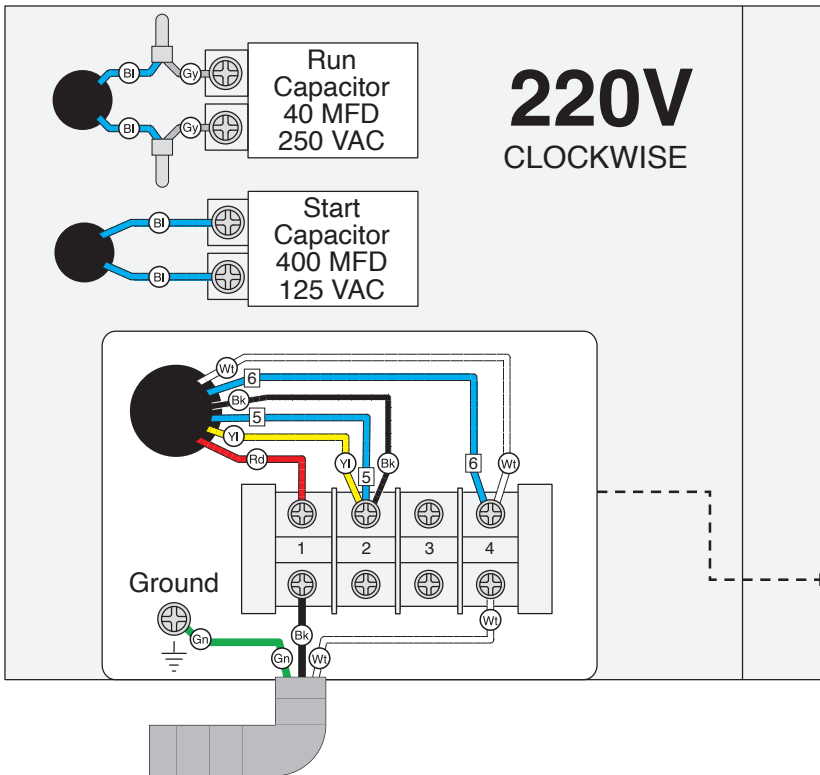
BLACK	— Bk —
WHITE	— Wt —
GREEN	— Gn —
GRAY	— Gy —
RED	— Rd —
YELLOW	— Yl —
BLUE	— Bl —

NOTICE

The motor wiring shown here is current at the time of printing, but it may not match your motor. Always use the wiring diagram inside the motor junction box.

WARNING!

SHOCK HAZARD!
Disconnect power before working on wiring.



220V
COUNTERCLOCKWISE

