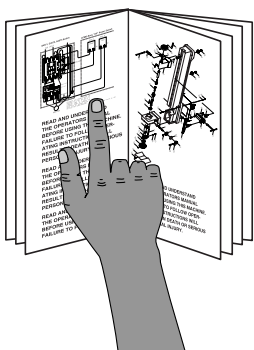




MODEL G0497 PLANISHING HAMMER INSTRUCTION SHEET



!WARNING
This machine presents serious injury hazards to untrained users. Read through this entire instruction sheet to become familiar with the controls and operations before starting the machine!

!WARNING
The Model G0497 has a maximum operating pressure of 120 psi. Exceeding this maximum can lead to high pressure parts failure, which may cause serious personal injury!

!WARNING

  **EYE/EAR INJURY HAZARD!**
Wear safety glasses and hearing protection during use of this tool!

 **INJURY HAZARD!**
Disconnect tool from air and power to prevent accidental operation during service!

 **CRUSHING HAZARD!**
Keep hands clear of hammer mechanism at all times!

Machine Data

Control Power..... 110V, Single-Phase, 60 Hz
Blows per Minute..... 4600
Air Pressure..... 90-120 PSI
Air Consumption..... 12 CFM
Throat24"
Weight168 lbs



Figure 1. Model G0497 Planishing Hammer.

Introduction

Great for all sheet metal forming, the Model G0497 Planishing Hammer includes an integrated filter/regulator and lubricator, and can shape mild steel up to 16 gauge.

Inventory

Planishing Hammer 1

Mounting and Setup

1. With the help of an assistant, carefully uncrate the planishing hammer.
2. Determine the most suitable location for your planishing hammer based on the planned usage of the machine. Larger workpieces will require a larger space around the planishing hammer.
3. Mount the planishing hammer to the floor using fasteners appropriate for the floor type.
4. Check the oil level in the lubricator. If the oil level is low, refill with an SAE 10-weight non-detergent, non-additive oil.
5. Install a male 1/4" NPT quick connector fitting into the air inlet of the planishing hammer.

Operation

1. Connect the planishing hammer to the air supply as shown in **Figure 2**.

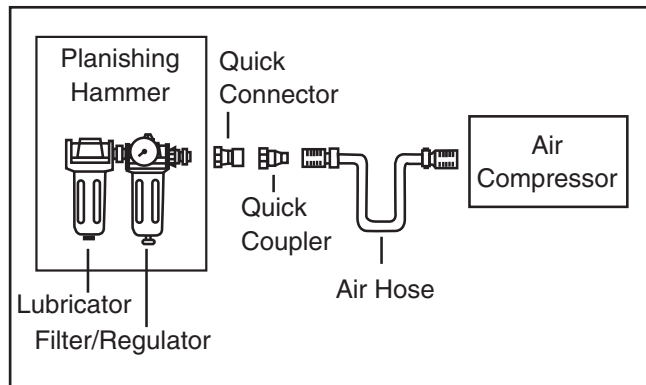


Figure 2. Correct air supply setup.

2. Set the desired air pressure between 90-120 PSI using the filter/regulator dial. A lower air pressure will provide a softer hammer blow.
3. Adjust the oil flow using the dial at the top of the lubricator. A setting of 2 drips per minute is sufficient for regular operation.
4. Adjust the anvil height with the handwheel, and lock the anvil in position by snugging the lock handle against the hammer frame, as shown in **Figure 3**.

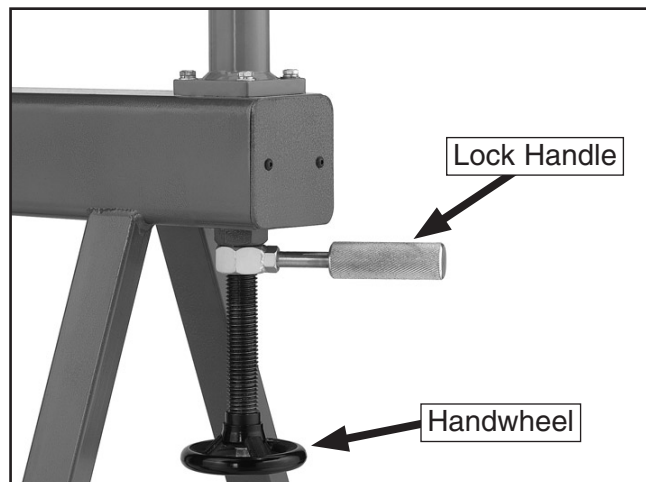


Figure 3. Lock handle and handwheel.

5. Plug the planishing hammer into the power supply.
6. With the workpiece between the hammer and anvil (**Figure 4**), depress the foot pedal to begin planishing.

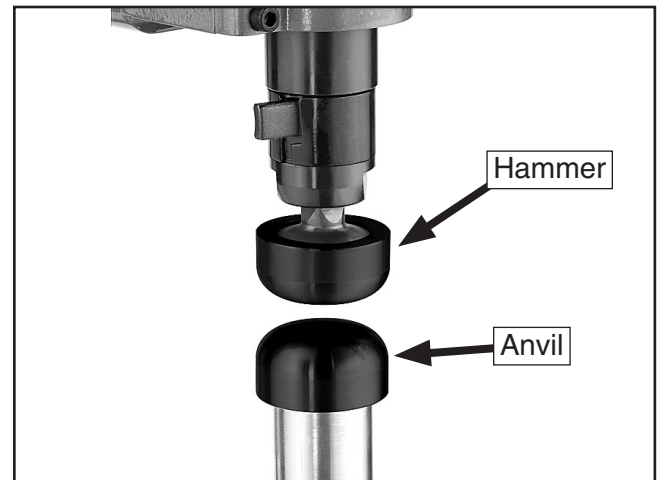


Figure 4. Planishing hammer and anvil.

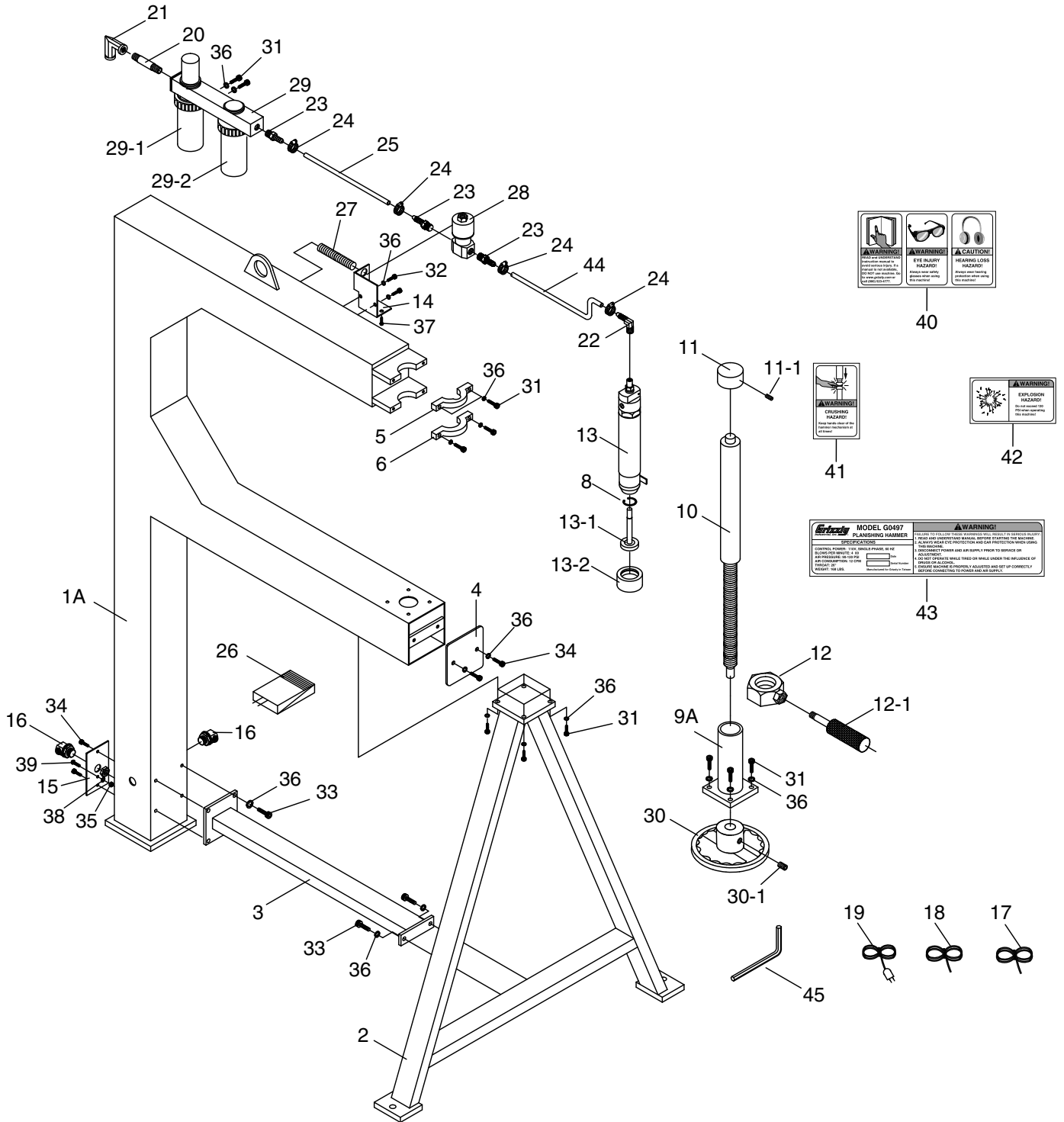
Maintenance

Before Every Use

- Check oil level in the lubricator; refill as needed with an SAE 10-weight non-detergent, non-additive oil.
- Check all mounting and component hardware and fasteners; adjust/tighten as necessary.
- Check all air connections; replace leaking or defective connections.
- Check for worn or shorted wiring; replace as necessary.

If you need help with your new planishing hammer, call our Tech Support at: (570) 546-9663.

G0497 Parts Breakdown



G0497 Parts List

REF	PART #	DESCRIPTION
1A	P0497001A	MAIN HAMMER FRAME-N/S 1/07
2	P0497002	SUPPORT BRACKET
3	P0497003	BRACE
4	P0497004	END COVER
5	P0497005	UPPER HAMMER CLAMP
6	P0497006	LOWER HAMMER CLAMP
8	PR21M	INT RETAINING RING 35MM
9A	P0497009A	ANVIL BASE-N/S 1/07
10	P0497010	ANVIL HEIGHT SCREW 1-8 x 11
11	P0497011	LOWER ANVIL
11-1	PSS07	SET SCREW 1/4-20 x 1/2
12	P0497012	COMBO JAM NUT 1-8 / 1/2-12
12-1	P0497012-1	LOCK HANDLE 1/2-12 X 5/16
13	P0497013	PNEUMATIC HAMMER
13-1	P0497013-1	HAMMER HEAD
13-2	P0497013-2	HAMMER HEAD FACING
14	P0497014	SOLENOID VALVE MOUNT PLATE
15	P0497015	SWITCH PLATE
16	P0497016	STRAIN RELIEF 1/2"
17	P0497017	SOLENOID VALVE CORD
18	P0497018	FOOT SWITCH CORD
19	P0497019	POWER CORD W/5-15 PLUG
20	P0497020	CONNECTOR TUBE
21	P0497021	ELBOW 1/4" NPT
22	P0497022	90° MALE CONNECTOR
23	P0497023	MALE CONNECTOR

REF	PART #	DESCRIPTION
24	P0497024	HOSE CLAMP
25	P0497025	FLEXIBLE HOSE 5/16" x 9-1/16"
26	P0497026	FOOT SWITCH
27	P0497027	CORRUGATED PLASTIC TUBE
28	P0497028	SOLENOID VALVE
29	P0497029	AIR CONTROL ASSEMBLY
29-1	P0497029-1	FILTER/REGULATOR UNIT
29-2	P0497029-2	LUBRICATOR UNIT
30	P0497030	HANDWHEEL
30-1	PSS02	SET SCREW 5/16-18 X 3/8
31	PSB06	CAP SCREW 1/4-20 X 1
32	PSB04	CAP SCREW 1/4-20 X 1/2
33	PSB05	CAP SCREW 1/4-20 X 3/4
34	PSBS20	BUTTON HD CAP SCR 1/4-20 X 1/2
35	PN07	HEX NUT 10-24
36	PLW02	LOCK WASHER 1/4
37	PFS03M	FLANGE SCREW M5-.8 X 6
38	PTLW02M	EXT TOOTH WASHER 5MM
39	PS06	PHLP HD SCR 10-24 X 3/8
40	P0497040	COMBO LABEL
41	P0497041	CRUSHING HAZARD LABEL
42	P0497042	EXPLOSION HAZARD LABEL
43	P0497043	MACHINE ID LABEL
44	P0497044	FLEXIBLE HOSE 5/16" x 13"
45	PAW05M	HEX WRENCH 5MM

WARNING

Safety labels warn about machine hazards and ways to prevent injury. The owner of this machine **MUST** maintain the original location and readability of the labels on the machine. If any label is removed or becomes unreadable, **REPLACE** that label before using the machine again. Contact Grizzly at (800) 523-4777 or www.grizzly.com to order new labels.

COPYRIGHT © JUNE, 2006 BY GRIZZLY INDUSTRIAL, INC. REVISED JANUARY, 2007 (BL)
**WARNING: NO PORTION OF THIS MANUAL MAY BE REPRODUCED IN ANY SHAPE
OR FORM WITHOUT THE WRITTEN APPROVAL OF GRIZZLY INDUSTRIAL, INC.**
#JK8281 PRINTED IN TAIWAN